

Model Number

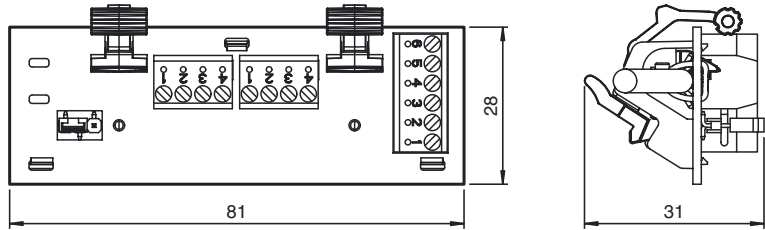
DoorScan Relay Module

Accessory DGE

Features

- Sensor module for configurable DoorScan® presence sensor
- Conversion of semiconductor signals to relay output signals
- Tool-free module mounting using snap-in mechanism

Dimensions

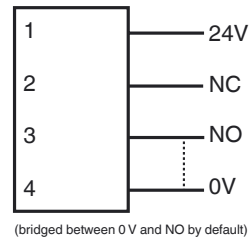


Electrical connection

Connection Terminal

1	BN	24V
2	BU	0V
3	GY	TEST
4	PK	STANDBY
5	BK	BS OUT
6	WH	BGS OUT

Configuration terminal, door hinge side
Configuration terminal, hinge opposite side
(can be used as an output as well)



Jumper



Release date: 2014-05-07 10:23 Date of issue: 2014-05-07 254993_eng.xml

Technical data

Functional safety related parameters

Safety Integrity Level (SIL)	SIL 2
Performance level (PL)	PL d
Category	Cat. 2
MTTF _d	72 a
B _{10d}	2 E+8
B ₁₀	3 E+6

Indicators/operating means

Control elements	Jumper for interface PNP / NPN
------------------	--------------------------------

Electrical specifications

Operating voltage	U _B	24 V DC ± 20 %
No-load supply current	I ₀	30 mA

Input

Input type	Test, Standby, Relay supply
------------	-----------------------------

Output

Signal output	Hinge side (BS): Relay, 1 alternator, Opposite hinge side (BGS): Relay, 1 alternator
Switching voltage	24 V DC ± 20 %
Switching current	max. 100 mA
Response time	max. 15 ms in addition to switch-on delay for DoorScan®
De-energized delay	t _{off} max. 15 ms

Ambient conditions

Ambient temperature	-30 ... 60 °C (-22 ... 140 °F)
Relative humidity	25 ... 95 % (noncondensing)

Mechanical specifications

Degree of protection	IP54 (iwhen mounted)
Connection	plug strip, 6-pin Interface, 4-pin Relay supply
Mass	approx. 30 g

Compliance with standards and directives

Directive conformity	
Machinery Directive 2006/42/EC	EN 12978:2003+A1:2009 EN ISO 13849-1:2008 + AC:2009 EN 16005:2012 Chapter 4.6.8
EMC Directive 2004/108/EC	EN 61000-6-2:2005 EN 61000-6-3:2007+A1:2011
Standard conformity	
Standards	EN 61508-1:2010 DIN 18650-1:2010 Chapter 5.7.4 BS 7036-1:1996 Chapter 7.3.2 BS 7036-2:1996 Chapter 8.1

Approvals and certificates

CCC approval	CCC approval / marking not required for products rated ≤36 V
--------------	--



Attention!

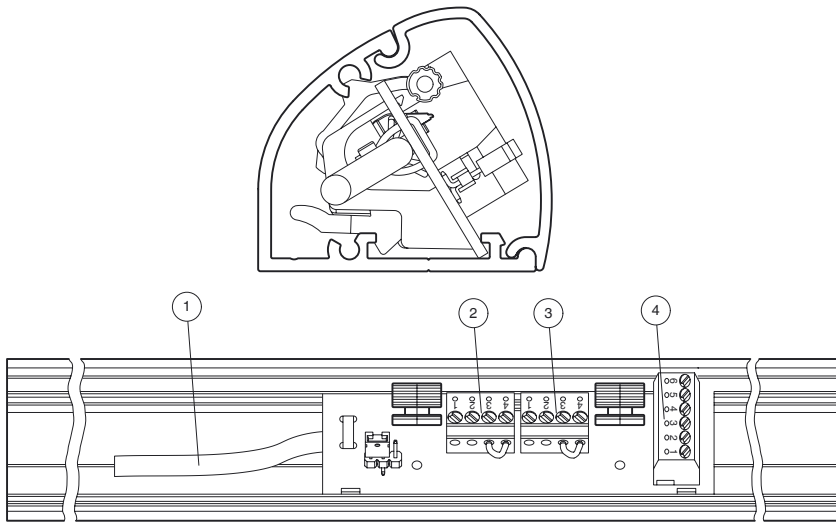
The required Performance Level is achieved only if a NO contact is used to signal the state "No object in protection field."

In particular:

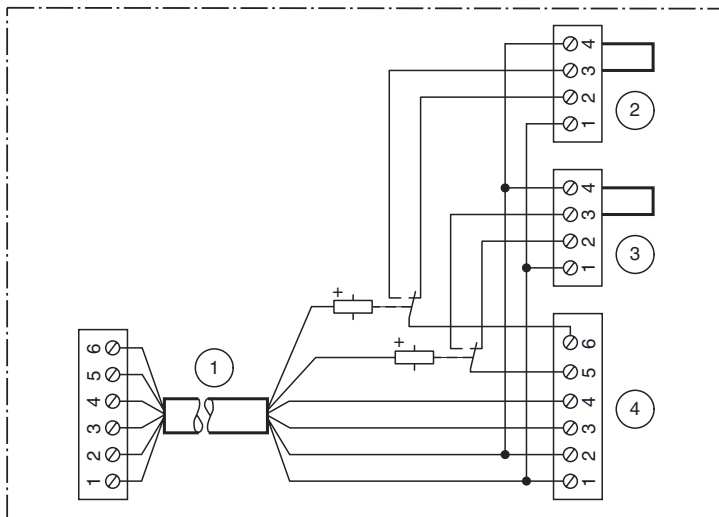
- For synchronized DoorScan outputs, NO contacts must be evaluated on the relay module.
- For antivalent DoorScan outputs, the NO contact for the door hinge side and the NC contact for the hinge opposite side must be evaluated on the relay module.

Mounting

Release date: 2014-05-07 10:23 Date of issue: 2014-05-07 254993_eng.xml



- ① Interface connection cable
- ② Configuration terminals, hinge opposite side
- ③ Configuration terminals, door hinge side
- ④ Terminal for door transition cable to drive



Bridging—Circuitry of configuration terminals

			24 V	0 V
②	BGS	NO	1 - 3	3 - 4*
		NC	1 - 2	2 - 4
③	BS	NO	1 - 3	3 - 4*
		NC	1 - 2	2 - 4

* = Default setting

Release date: 2014-05-07 10:23 Date of issue: 2014-05-07 254993_eng.xml

Refer to "General Notes Relating to Pepperl+Fuchs Product Information".

Pepperl+Fuchs Group
www.pepperl-fuchs.com

USA: +1 330 486 0001
fa-info@us.pepperl-fuchs.com

Germany: +49 621 776 4411
fa-info@de.pepperl-fuchs.com

Singapore: +65 6779 9091
fa-info@sg.pepperl-fuchs.com