



**Model number**

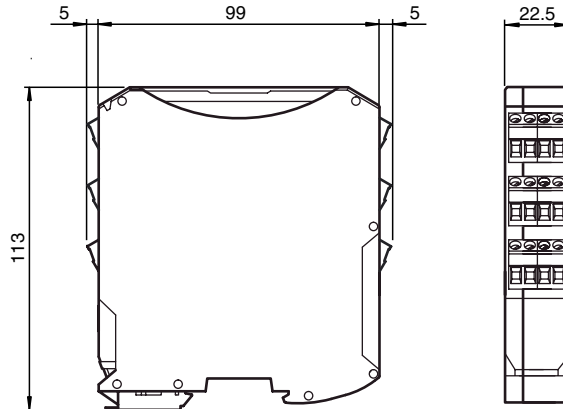
**VAZ-1E4A-KE4-Z/R-S**

Safe contact expansion, 1 channels, 4 contact sets

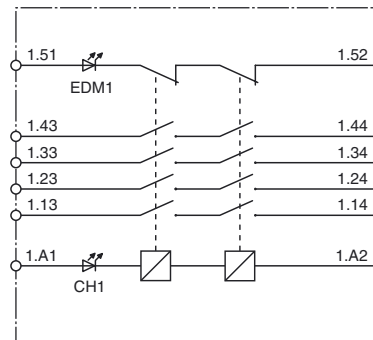
**Features**

- Up to 6 A startup current
- 20 ms switch-off time

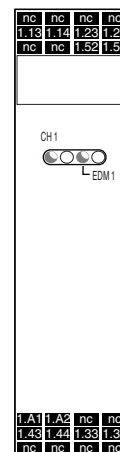
**Dimensions**



**Electrical connection**



**Indicating / Operating means**



Release date: 2014-01-27 15:57 Date of issue: 2014-02-07 255793\_eng.xml

Refer to "General Notes Relating to Pepperl+Fuchs Product Information".

Pepperl+Fuchs Group  
www.pepperl-fuchs.com

USA: +1 330 486 0001  
fa-info@us.pepperl-fuchs.com

Germany: +49 621 776 4411  
fa-info@de.pepperl-fuchs.com

Singapore: +65 6779 9091  
fa-info@sg.pepperl-fuchs.com

**Technical data****General specifications**

Description	Safe contacts, instantaneous 4 contact sets (contacts are one-way guided)
-------------	--

**Functional safety related parameters**

Category	Cat. 4
Mission Time ( $T_M$ )	20 a
$B_{10d}$	1.96 E+6

**Indicators/operating means**

LEDs 1, 2	LEDs yellow CH1: contact 1 closed EDM1: feedback circuit 1 closed
-----------	---

**Electrical specifications**

Rated operating current	$I_e$	80 mA
Surge protection		overvoltage category III

**Input**

Pulse length	max. 1.5 ms (permissible test pulse time)
Signal level	0-signal: < 2.4 V DC 1-signal: 18 ... 26.5 V

**Output**

Short-circuit protection/overload	3 A quick; 2 A slow
Switching current	max. 6 A for 20 ms
Current	Total current 12 A
Response delay	Response delay: < 20 ms
Switching frequency	$f$ 15 Hz
Relay	
Switching voltage	10 V ... 230 V
Switching current	5 mA ... 3 A
Mechanical life	approx. $10 \times 10^6$ switching cycles
Electrical life	AC1 (360 S/h), approx. $100 \times 10^3$ switching cycles
Contact loading	Feedback loop: max. 20 mA

**Ambient conditions**

Ambient temperature	-20 ... 50 °C (-4 ... 122 °F)
Storage temperature	-40 ... 70 °C (-40 ... 158 °F)
Relative humidity	non-condensing
Pollution Degree	2

**Mechanical specifications**

Protection degree	IP20
Connection	removable terminals rated connection capacity: rigid/flexible (with and without wire-end ferrules): 0.25 mm <sup>2</sup> ... 2.5 mm <sup>2</sup> for multiple-wire connection with two wires of equal cross-section: flexible with twin wire-end ferrules: 0.5 mm <sup>2</sup> ... 1.5 mm <sup>2</sup>
Material	
Housing	PA 66-FR
Mass	200 g
Mounting	DIN mounting rail

**Compliance with standards and directives**

Directive conformity	
Low Voltage Directive 2006/95/EC	EN 60947-1:2007/A1:2011 EN 60947-5-1:2004/AC:2005
EMC Directive 2004/108/EC	EN 61000-6-2:2005/AC:2005 EN 61000-6-3:2007/A1:2011
Standard conformity	
Electromagnetic compatibility	EN 61000-6-2:2005, EN 61000-6-4:2001
Protection degree	EN 60529:2000
Electrical safety	EN 60947-1:2007 EN 60947-5-1:2005