



Model Number

UB100-F77-E1-V31

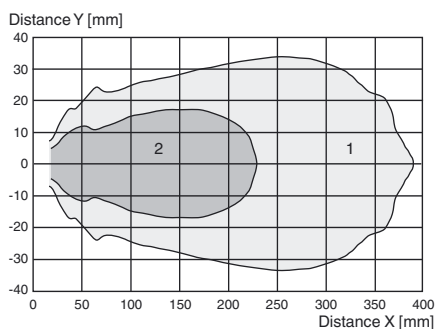
Ultrasonic direct detection sensor

Features

- Miniature design
- Program input
- Degree of protection IP67
- Switching status indicator, yellow LED

Diagrams

Characteristic response curve



Curve 1: flat surface 100 mm x 100 mm
Curve 2: round bar, Ø 25 mm

Technical data

General specifications

Sensing range	10 ... 100 mm
Adjustment range	30 ... 100 mm
Unusable area	0 ... 10 mm
Standard target plate	20 mm x 20 mm
Transducer frequency	approx. 400 kHz

Nominal ratings

Time delay before availability t_v	≤ 150 ms
--------------------------------------	----------

Limit data

Permissible cable length	max. 300 m
--------------------------	------------

Indicators/operating means

LED yellow	switching state and flashing: Teach-In
------------	--

Electrical specifications

Rated operating voltage U_e	24 V DC
Operating voltage U_B	20 ... 30 V DC, ripple 10 % _{SS} ; 12 ... 20 V DC sensitivity reduced to 90 %
No-load supply current I_0	≤ 20 mA

Input

Input type	1 program input
Level	low level : 0 ... 0.7 V (Teach-In active) high level : U_B or open input (Teach-In inactive)
Input impedance	16 kΩ
Pulse length	≥ 3 s

Output

Output type	1 switch output E1, NPN, NC
Rated operating current I_e	200 mA, short-circuit/overload protected
Voltage drop U_d	≤ 2 V
Switch-on delay t_{on}	≤ 50 ms
Repeat accuracy	± 1 mm
Switching frequency f	10 Hz
Range hysteresis H	typ. 2.5 mm
Off-state current I_f	≤ 0.01 mA
Temperature influence	+ 0.17 %/K

Ambient conditions

Ambient temperature	-10 ... 50 °C (14 ... 122 °F)
Storage temperature	-40 ... 85 °C (-40 ... 185 °F)
Shock resistance	30 g, 11 ms period
Vibration resistance	10 ... 55 Hz, Amplitude ± 1 mm

Mechanical specifications

Connection type	M8 x 1 connector, 4-pin
Degree of protection	IP67
Material	
Housing	Polycarbonate
Transducer	epoxy resin/hollow glass sphere mixture; polyurethane foam
Installation position	any position
Mass	10 g
Tightening torque, fastening screws	max. 0.2 Nm

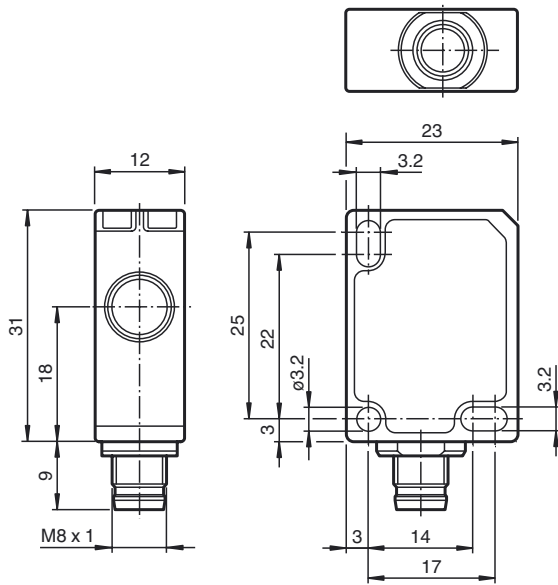
Compliance with standards and directives

Standard conformity	
Standards	EN 60947-5-2:2007 IEC 60947-5-2:2007

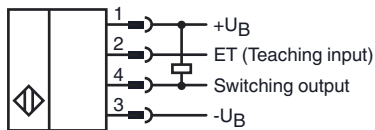
Approvals and certificates

UL approval	cULus Listed, General Purpose
CSA approval	cCSAus Listed, General Purpose
CCC approval	CCC approval / marking not required for products rated ≤36 V

Dimensions



Electrical Connection



Pinout



Wire colors in accordance with EN 60947-5-2

1	BN	(brown)
2	WH	(white)
3	BU	(blue)
4	BK	(black)

Accessories

UB-PROG4-V31

Programming unit for ultrasonic sensors with Teach-in input at pin 2

OMH-ML7-01

Mounting bracket

V31-GM-2M-PVC

Female cordset, M8, 4-pin, PVC cable

V31-WM-2M-PVC

Female cordset, M8, 4-pin, PVC cable

Description of Sensor Function

The ultrasonic sensor transmits ultrasonic packets in quick succession and responds to their reflection off the detected object. The sensor has a switch output. The switching point is programmable (Teach-In). Objects beyond the taught-in switching point are not detected (background suppression).

Teach-In of Switching Point SP

To teach in a switching point, proceed as follows:

1. Connect the sensor and turn on the operating voltage.
2. Place the object to be detected at the required distance.
3. Connect the teach-in input (ET) to -U_B. This can be done using the pushbutton or the controller.
The LED will start flashing after 3 seconds to indicate that the sensor is ready to start the teach-in process (*).
4. Disconnect the teach-in input (ET) with -U_B. The switching point SP has now been taught in (*).

(*) If no object is detected within the sensing range of the sensor, the sensor will start flashing at a faster rate. The switching point remains unchanged.

Switching characteristics and display LED

unusable area	Sensing range		Output	LED
	Adjustment range			
		●	+U _B	On
	●		-U _B	Off
●			Undefined	

● = Object position

Safety Note

The use of this device in applications, where the safety of persons depends from the devices function, is not allowed!

