



Model Number

ODZ-MAC335-TRIGBOX

Trigger box for fixed mounted readers

Features

- Trigger function
- Separate RS 232 connection
- Degree of protection IP40

Accessories

ODZ-MAC-PWR-24V

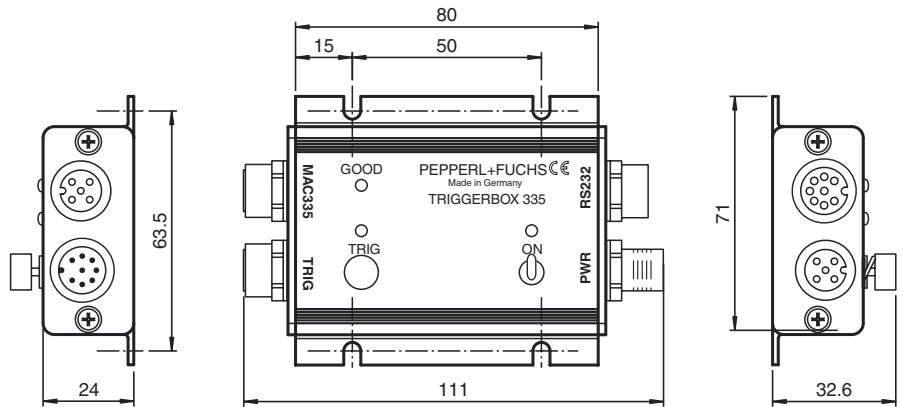
24 V DC power supply

V15S-G-0,5M-PUR-ABG-SUBD9

V19-G-BK1,5M-PUR-U/ABG-V19-G

Connection cable, M12, shielded

Dimensions



Technical data

Indicators/operating means

Operation indicator	Power on LED green
Function indicator	Trigger LED yellow
Status indicator	Good LED yellow
Key	Trigger
Toggle switch	ON/OFF switch:

Electrical specifications

Operating voltage	U_B	24 V DC \pm 15 % SELV
Operating current	I_B	max. 50 mA

Interface

Physical	1 x RS 232
Protocol	ASCII
Transfer rate	9600 Bit/s ... 115200 Bit/s

Input

Input voltage	24 V DC \pm 5 %
Number/Type	1 input for 2- or 3- wire sensors (PNP), DC
Input current	approx. 10 mA at 24 V DC

Ambient conditions

Ambient temperature	0 ... 60 °C (32 ... 140 °F)
Storage temperature	-20 ... 70 °C (-4 ... 158 °F)

Mechanical specifications

Degree of protection	IP40
Connection	8-pin, M12x1 connector, standard (supply+IO) , 4-pin, M12x1 socket, (RS 232) , 4-pin, M12x1 socket, (Trigger) , 8-pin, M12x1 socket, (MAC335)

Material

Housing	black anodized aluminum
Mass	approx. 139 g

General information

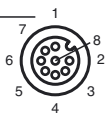
Scope of delivery	24 V DC power supply ; Adapter cable, M12 x 1, to sub-D, 9-pin ; Connection cable, M12 to M12, PUR cable 8-pin
-------------------	---

Compliance with standards and directives

Directive conformity	
EMC Directive 89/336/EEC	EN 61326, EN 61000-6-4
Standard conformity	
Noise immunity	EN 61326:2002-03
Degree of protection	EN 60529

Electrical connection

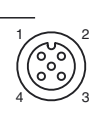
MAC335



Pin Signal

- 1 TRIGGER
- 2 +UB
- 3 RX RS232
- 4 24 V I/O
- 5 GND I/O
- 6 GOOD
- 7 GND
- 8 TX RS232

RS232



Pin Signal

- 1 NC
- 2 TX RS232
- 3 GND
- 4 RX RS232

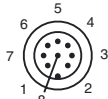
TRIG



Pin Signal

- 1 +UB
- 2 NC
- 3 GND
- 4 TRIGGER

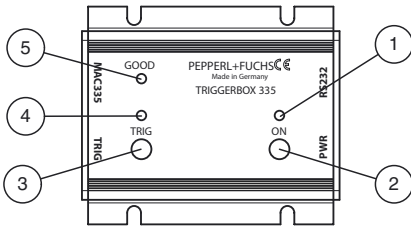
PWR



Pin Signal

- 1 TRIGGER
- 2 +UB
- 3 RX RS232
- 4 24 V I/O
- 5 GND I/O
- 6 GOOD
- 7 GND
- 8 TX RS232

Indicators / operating means



1	Operating indicator	green
2	ON/OFF switch	
3	Trigger button	
4	Trigger function indicator	yellow
5	Status indication: GOOD	yellow