



Model Number

V1-4A-E2-10M-PUR
 Quadruple splitter box with M12 connector with basic cable

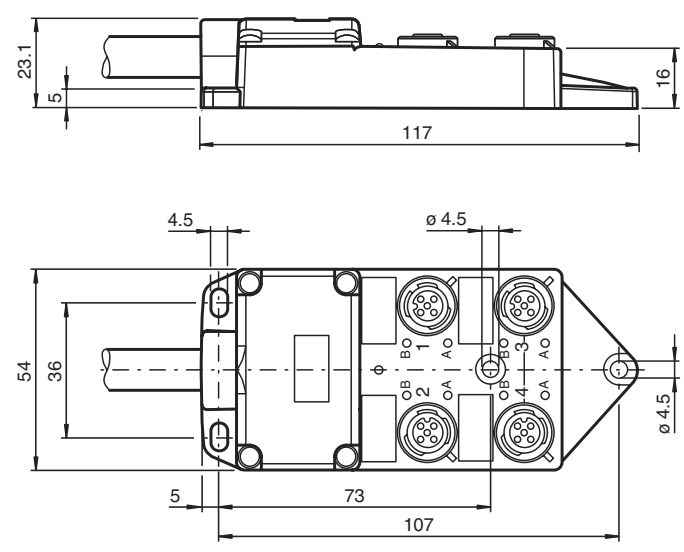
Features

- LED indicator for module supply and I/O status

Accessories

- VAZ-V1-B3**
Blind plug for M12 sockets
- MH 05-SACB-4**
Mounting aid for DIN rail
- MH V1-SCREWDRIVER**
torque screwdriver (0.4 Nm)
- MH V1-BIT M12**
plug-in cap M12

Dimensions

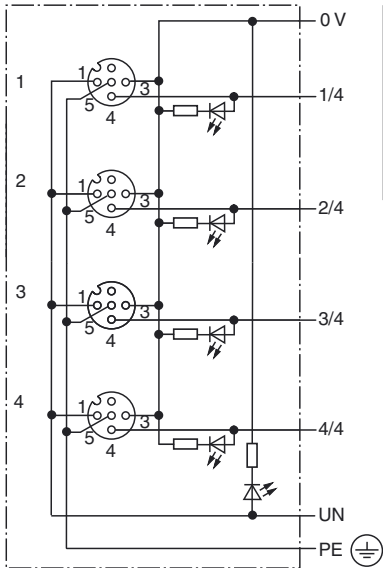


Technical data

General specifications		
Number of pins		4
Indicators/operating means		
LED green		supply voltage each module
LED yellow		I/O status indication
Electrical specifications		
Operating voltage	U_B	24 V DC, max. 30 V DC
Operating current	I_B	≤ 5 mA per channel indication element
Current loading capacity		≤ 2 A per channel, ≤ 4 A per plug-in station, ≤ 12 A total current per separator
Ambient conditions		
Ambient temperature		housing: -25 ... 80 °C (-13 ... 176 °F) cable, flexing: -5 ... 80 °C (23 ... 176 °F) cable, fixed: -40 ... 90 °C (-40 ... 194 °F)
Mechanical specifications		
Connection type		4 x socket M12 x 1 4-pin Master cable
Degree of protection		IP65/IP67
Connection		
Material		
Contacts		Cu alloy
Contact surface		Au
Housing		PBT
Threaded bushings		PBT
Cable		PUR
Seal		O-ring: NBR
Core insulation		PVC
Cable		flexible
Sheath diameter		Ø 6.9 mm
Bending radius		> 10 x cable diameter, moving > 7.5 x cable diameter, fixed
Color		black
Cores		Signalling line (4): 4 x 0.34 mm ² (AWG 22) Supply line (1, 3), PE (5): 3 x 0.75 mm ² (AWG 18)
Conductor construction		19 x 0.15 mm Ø and 42 x 0.15 mm Ø
Length	L	10 m
Mass		approx. 920 g
Compliance with standards and directives		
Standard conformity		
Degree of protection		EN 60529
Flammability		DIN EN†50265-2-1

Release date: 2014-10-30 11:51 Date of issue: 2015-02-05 259976_eng.xml

Electrical connection



Slot/Pin (signal)	Color
1 / 4 (A)	WH
2 / 4 (A)	GN
3 / 4 (A)	YE
4 / 4 (A)	GY
1-4 / 1 (UN)	BN
1-4 / 3 (0 V)	BU
1-4 / 5 (PE)	GN/YE

