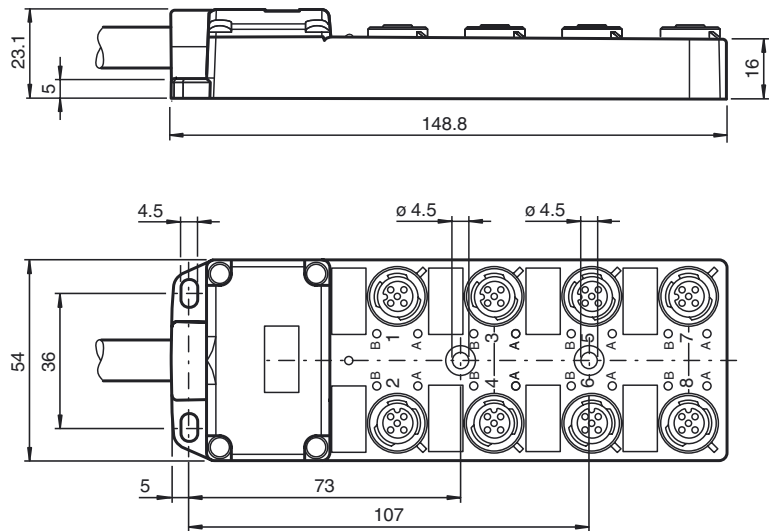




Dimensions



Model Number

V1-8/16A-E2-5M-PUR

Splitter box octuple, twin configuration, with trunk cable

Features

- Twin communication of the plug-in stations

Accessories

VAZ-V1-B3

Blind plug for M12 sockets

MH 05-SACB-8

Mounting aid for DIN rail

V15S-TV15

Y distributor, M12 connector on M12 socket/socket

MH V1-SCREWDRIVER

torque screwdriver (0.4 Nm)

MH V1-BIT M12

plug-in cap M12

Technical data

General specifications

Number of pins	5
----------------	---

Indicators/operating means

LED green	supply voltage each module
LED yellow	I/O status indication

Electrical specifications

Operating voltage	U_B	24 V DC, max. 30 V DC
Operating current	I_B	≤ 5 mA per channel indication element
Current loading capacity		≤ 2 A per channel, ≤ 4 A per plug-in station, ≤ 12 A total current per separator

Ambient conditions

Ambient temperature	housing: -25 ... 80 °C (-13 ... 176 °F) cable, flexing: -5 ... 80 °C (23 ... 176 °F) cable, fixed: -40 ... 90 °C (-40 ... 194 °F)
---------------------	---

Mechanical specifications

Connection type	8 x socket M12 x 1 5-pin Master cable
Degree of protection	IP65/IP67
Material	
Contacts	Cu alloy
Contact surface	Au
Housing	PBT
Cable	PUR
Seal	O-ring: NBR
Cable	flexible
Sheath diameter	Ø 10.5 mm
Bending radius	> 10 x cable diameter, moving
Color	black
Cores	Signal wire (2, 4): 16 x 0.5†mm ² Supply wire (1, 3), PE (5): 3 x 1†mm ²
Conductor construction	28 x 0.15 mm Ø and 56 x 0.15 mm Ø
Length	L 5 m
Flammability	94 V-0

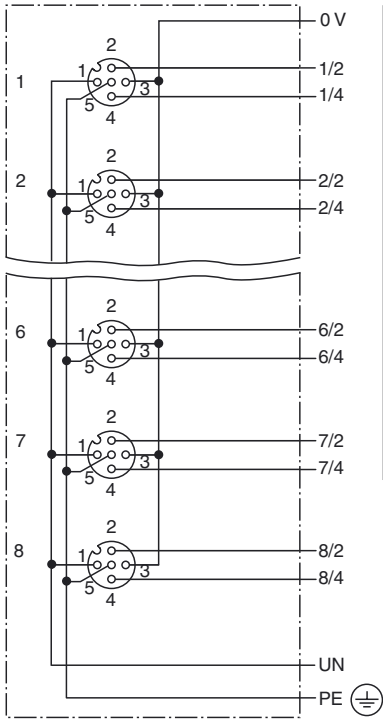
Compliance with standards and directives

Standard conformity	
Degree of protection	EN 60529

Release date: 2014-10-30 11:51 Date of issue: 2015-02-05 259979_eng.xml

Refer to "General Notes Relating to Pepperl+Fuchs Product Information".

Electrical connection



Port/Pin (signal)	Color
1 / 4 (A)	WH
1 / 2 (B)	GY/PK
2 / 4 (A)	GN
2 / 2 (B)	RD/BU
3 / 4 (A)	YE
3 / 2 (B)	WH/GN
4 / 4 (A)	GY
4 / 2 (B)	BN/GN
5 / 4 (A)	PK
5 / 2 (B)	WH/YE
6 / 4 (A)	RD
6 / 2 (B)	YE/BN
7 / 4 (A)	BK
7 / 2 (B)	WH/GY
8 / 4 (A)	VT
8 / 2 (B)	GY/BN
1-8 / 1 (UN)	BN
1-8 / 3 (0 V)	BU
1-8 / 5 (PE)	GN/YE

