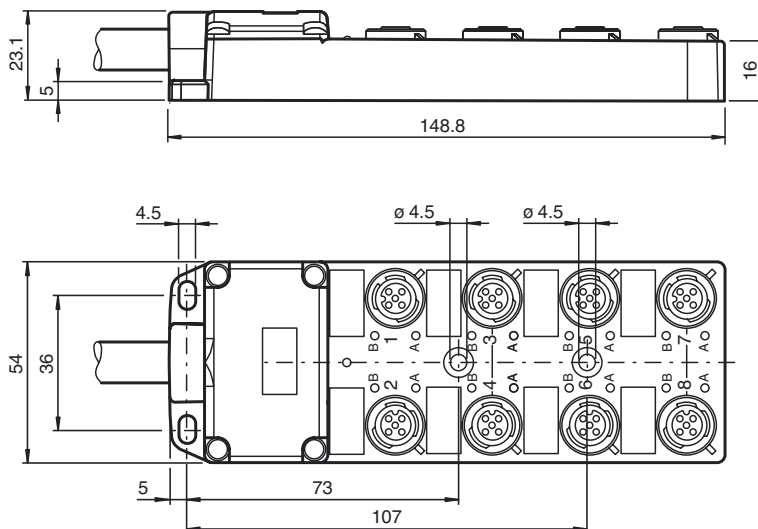




**Dimensions**



**Model Number**

**V1-8A-E-5M-PUR**

Octuple splitter box with M12 connector with trunk cable, NPN

**Features**

- LED indicator for module supply and I/O status
- NPN version

**Accessories**

**VAZ-V1-B3**

Blind plug for M12 sockets

**MH 05-SACB-8**

Mounting aid for DIN rail

**MH V1-SCREWDRIVER**

torque screwdriver (0.4 Nm)

**MH V1-BIT M12**

plug-in cap M12

**Technical data**

**General specifications**

Number of pins 4

**Indicators/operating means**

LED green supply voltage each module  
LED yellow I/O status indication

**Electrical specifications**

Operating voltage  $U_B$  24 V DC, max. 30 V DC  
Operating current  $I_B$   $\leq 5$  mA per channel indication element  
Current loading capacity  $\leq 2$  A per channel,  $\leq 4$  A per plug-in station,  $\leq 12$  A total current per separator

**Ambient conditions**

Ambient temperature housing:  $-25 \dots 80$  °C ( $-13 \dots 176$  °F)  
cable, flexing:  $-5 \dots 80$  °C ( $23 \dots 176$  °F)  
cable, fixed:  $-40 \dots 90$  °C ( $-40 \dots 194$  °F)

**Mechanical specifications**

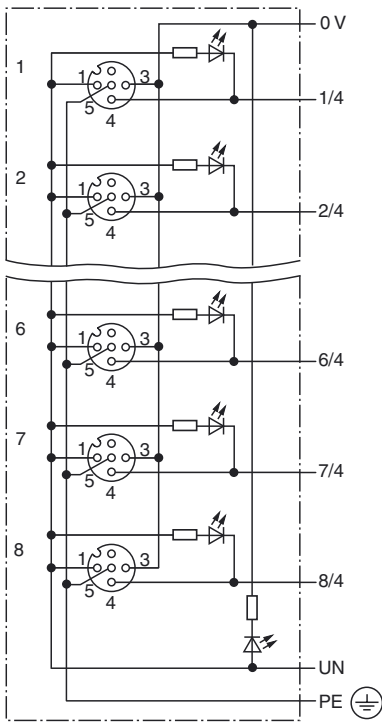
Connection type 8 x socket M12 x 1 4-pin  
Master cable  
Degree of protection IP65/IP67  
Material  
Contacts Cu alloy  
Contact surface Au  
Housing PBT  
Threaded bushings PBT  
Cable PUR  
Seal O-ring: NBR  
Core insulation PVC  
Cable flexible  
Sheath diameter  $\varnothing 8.5$  mm  
Bending radius  $> 10$  x cable diameter, moving  
> 7.5 x cable diameter, fixed  
Color black  
Cores Signalling line (4):  $8 \times 0.34$  mm<sup>2</sup> (AWG 22)  
Supply line (1, 3), PE (5):  $3 \times 0.75$  mm<sup>2</sup> (AWG 18)  
Conductor construction  $19 \times 0.15$  mm  $\varnothing$  and  $42 \times 0.15$  mm  $\varnothing$   
Length L 5 m  
Mass approx. 765 g

**Compliance with standards and directives**

Standard conformity  
Degree of protection EN 60529  
Flammability DIN EN†50265-2-1

Release date: 2014-10-30 11:51 Date of issue: 2015-02-05 259980\_eng.xml

Electrical connection



Slot/Pin (signal)	Color
1 / 4 (A)	WH
2 / 4 (A)	GN
3 / 4 (A)	YE
4 / 4 (A)	GY
5 / 4 (A)	PK
6 / 4 (A)	RD
7 / 4 (A)	BK
8 / 4 (A)	VT
1-8 / 1 (UN)	BN
1-8 / 3 (0 V)	BU
1-8 / 5 (PE)	GN/YE

