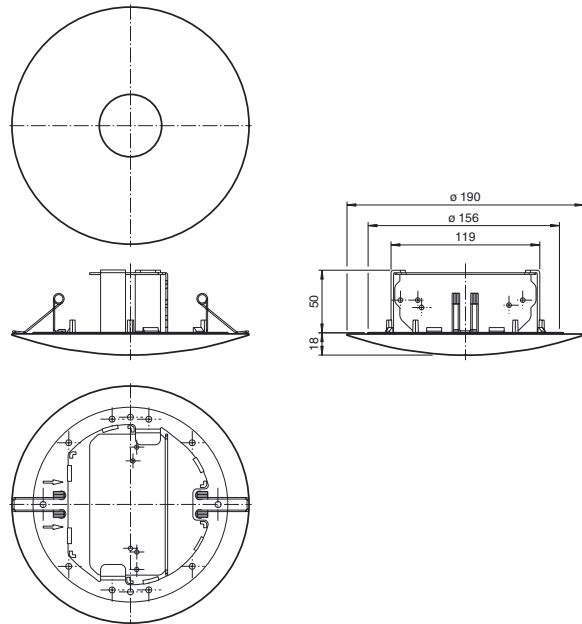


Dimensions



Model Number

RMS/RaDec Ceiling Kit wh
 Ceiling mount kit for radar sensors in the RMS and RaDec Series

Features

- Installation without tools
- Colour: white

Technical data

Mechanical specifications	
Material	plastic and aluminum
Installation	Opening for installation: Ø 131 mm Installation depth: min. 60 mm
Mass	approx. 226 g
Mounting	Terminals and screws possible
Suitable series	
Series	RMS , RaDec

Release date: 2014-04-22 13:21 Date of issue: 2014-05-07 260273_eng.xml

Refer to "General Notes Relating to Pepperl+Fuchs Product Information".