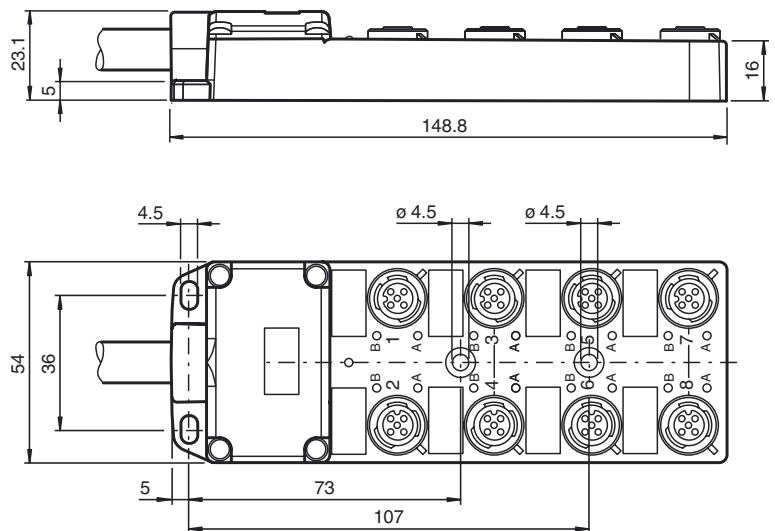




Dimensions



Model Number

V1-8/16A-E2-2M-PUR

Splitter box octuple, twin configuration, with trunk cable

Features

- Twin communication of the plug-in stations

Accessories

VAZ-V1-B3

Blind plug for M12 sockets

MH 05-SACB-8

Mounting aid for DIN rail

V15S-T-V15

Y distributor, M12 connector on M12 socket/socket

MH V1-SCREWDRIVER

torque screwdriver (0.4 Nm)

MH V1-BIT M12

plug-in cap M12

Technical data

General specifications

Number of pins 5

Indicators/operating means

LED green supply voltage each module
LED yellow I/O status indication

Electrical specifications

Operating voltage U_B 24 V DC, max. 30 V DC
Operating current I_B ≤ 5 mA per channel indication element
Current loading capacity ≤ 2 A per channel, ≤ 4 A per plug-in station, ≤ 12 A total current per separator

Ambient conditions

Ambient temperature housing: -25 ... 80 °C (-13 ... 176 °F)
cable, flexing: -5 ... 80 °C (23 ... 176 °F)
cable, fixed: -40 ... 90 °C (-40 ... 194 °F)

Mechanical specifications

Connection type 8 x socket M12 x 1 5-pin
Master cable
Degree of protection IP65/IP67
Material
Contacts Cu alloy
Contact surface Au
Housing PBT
Cable PUR
Seal O-ring: NBR
Cable flexible
Sheath diameter Ø 10.5 mm
Bending radius > 10 x cable diameter, moving
Color black
Cores Signal wire (2, 4): 16 x 0.5†mm²
Supply wire (1, 3), PE (5): 3 x 1†mm²
Conductor construction 28 x 0.15 mm Ø and 56 x 0.15 mm Ø
Length L 2 m
Flammability 94 V-0

Compliance with standards and directives

Standard conformity
Degree of protection EN 60529

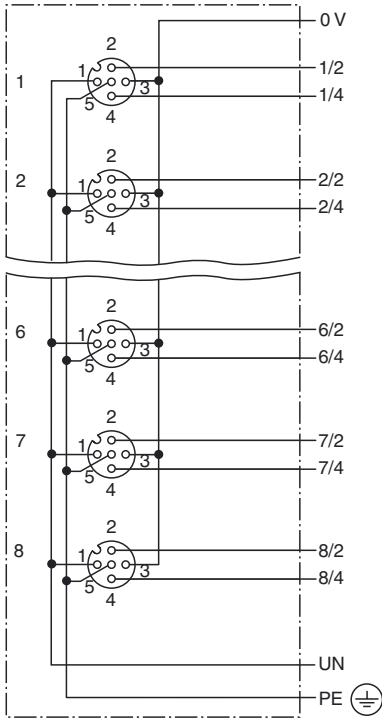
Approvals and certificates

UL approval cURus, General Purpose, E231213
Maximum permissible operating voltage ≤ 42.4 V peak, Class 2 source only
CCC approval This product is not subject to authorization and therefore does not bear a CCC marking.

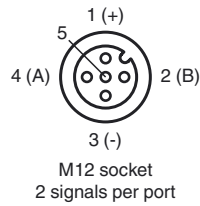
Release date: 2014-10-30 11:52 Date of issue: 2015-02-05 260647_eng.xml

Maximum permissible operating voltage ≤ 75 V AC/DC

Electrical connection



Port/Pin (signal)	Color
1 / 4 (A)	WH
1 / 2 (B)	GY/PK
2 / 4 (A)	GN
2 / 2 (B)	RD/BU
3 / 4 (A)	YE
3 / 2 (B)	WH/GN
4 / 4 (A)	GY
4 / 2 (B)	BN/GN
5 / 4 (A)	PK
5 / 2 (B)	WH/YE
6 / 4 (A)	RD
6 / 2 (B)	YE/BN
7 / 4 (A)	BK
7 / 2 (B)	WH/GY
8 / 4 (A)	VT
8 / 2 (B)	GY/BN
1-8 / 1 (UN)	BN
1-8 / 3 (0 V)	BU
1-8 / 5 (PE)	GN/YE



Release date: 2014-10-30 11:52 Date of issue: 2015-02-05 260647_eng.xml