



Panel antenna for 2.4 GHz band

Features

- Panel antenna
- For outdoor use
- Fire retardant

Function

The panel antenna is suitable for a frequency range from 2.4 GHz to 2.485 GHz. The antenna gain is 8.5 dBi.

The antenna can be connected to the WirelessHART Gateway using preconfigured coaxial cables.

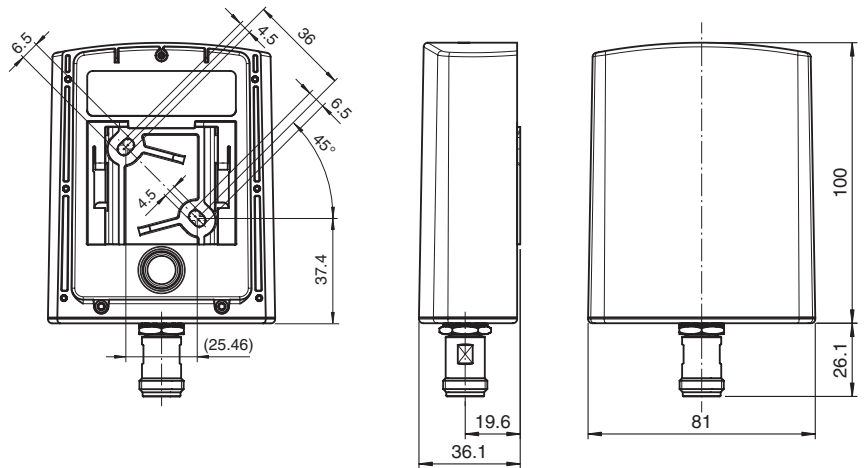
For installation examples, see the manual of the WirelessHART Gateway.

Accessories

W-ACC-CA-NM-NM-*

Coaxial cable, N plug to N plug

Dimensions



Technical data

General specifications

Frequency range	2.4 ... 2.485 GHz
Antenna gain	8.5 dBi
Polarization	vertical
Impedance	50 Ω

Nominal ratings

Beam angle (-3 dB)	75° horizontal, 75° vertical
--------------------	------------------------------

Standard conformity

Standards	EN 50125-3:2004 prEN 45545-2
-----------	---------------------------------

Ambient conditions

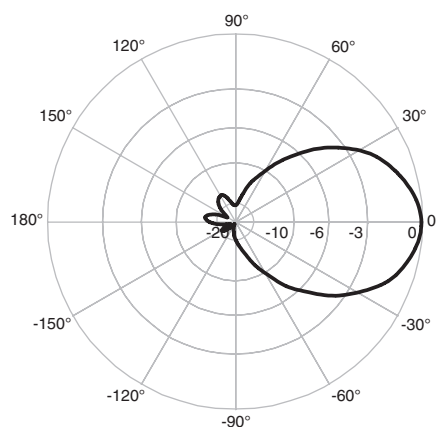
Operating temperature	-40 ... 80 °C (-40 ... 176 °F)
Storage temperature	-40 ... 80 °C (-40 ... 176 °F)

Mechanical specifications

Connection type	N socket
Degree of protection	IP66 / IP67
Material	plastic
Mass	110 g
Dimensions	80 mm x 101 mm x 35 mm

Antenna Characteristics

vertical 2.45 GHz



horizontal 2.45 GHz

