



### Model Number

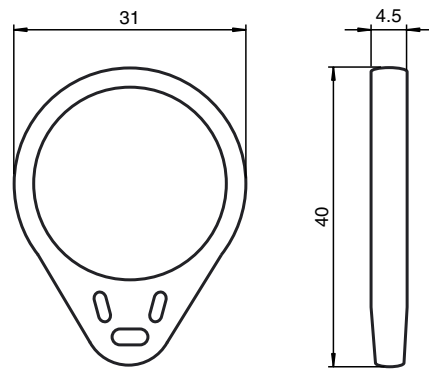
**IPC03-20K1 10pcs**

Data carrier

### Features

- Battery-free data carrier
- 32 bit fixcode
- 928 bits memory available
- Readable and writable from both sides
- Protection degree IP67
- Key fob
- Packaging unit: 10 pieces

### Dimensions



### Technical data

#### General specifications

Operating frequency	125 kHz
Transfer rate	2 kBit/s

#### Memory

Chip Type	EM4450 Titan (EM Microelectronic)
Type/Size	EEPROM 928 Bit ROM 32 Bit
Read cycles	unlimited
Write cycles	> 100000
Data retention period	10 years at 55 °C (131 °F)

#### Ambient conditions

Ambient temperature	-25 ... 70 °C (-13 ... 158 °F)
Storage temperature	-40 ... 90 °C (-40 ... 194 °F)

#### Mechanical specifications

Protection degree	IP67
Material	
Housing	PC (Polycarbonate)
Note	Packaging unit, 10-piece

#### Compliance with standards and directives

Standard conformity	
Protection degree	EN 60529

### Notes

The transponder can be read and written from either side.