



Model Number

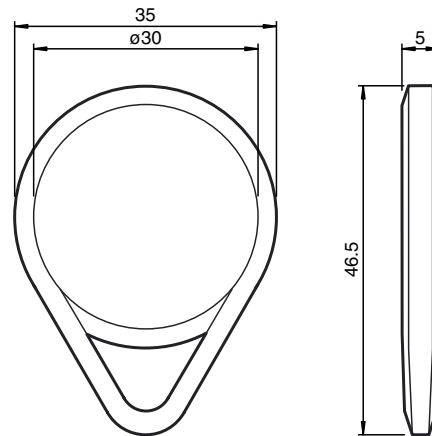
IPC03-20K3 10pcs

Data carrier

Features

- Battery-free data carrier
- 32 bit fixcode
- 928 bits memory available
- Readable and writable from both sides
- Protection degree IP67
- Key fob
- Packaging unit: 10 pieces

Dimensions



Technical data

General specifications

Operating frequency	125 kHz
Transfer rate	2 kBit/s
Color	white

Memory

Chip Type	EM4450 Titan (EM Microelectronic)
Type/Size	EEPROM 928 Bit ROM 32 Bit
Read cycles	unlimited
Write cycles	> 100000
Data retention period	> 10 years

Ambient conditions

Ambient temperature	-20 ... 80 °C (-4 ... 176 °F)
Storage temperature	-20 ... 80 °C (-4 ... 176 °F)

Mechanical specifications

Protection degree	IP67
Material	
Housing	PC (Polycarbonate)
Note	Packaging unit, 10-piece

Compliance with standards and directives

Directive conformity	
EMC Directive 2004/108/EC	EN 61000-6-2:2005, EN 50295:1999
Standard conformity	
Protection degree	EN 60529

Notes

The transponder can be read and written from either side.