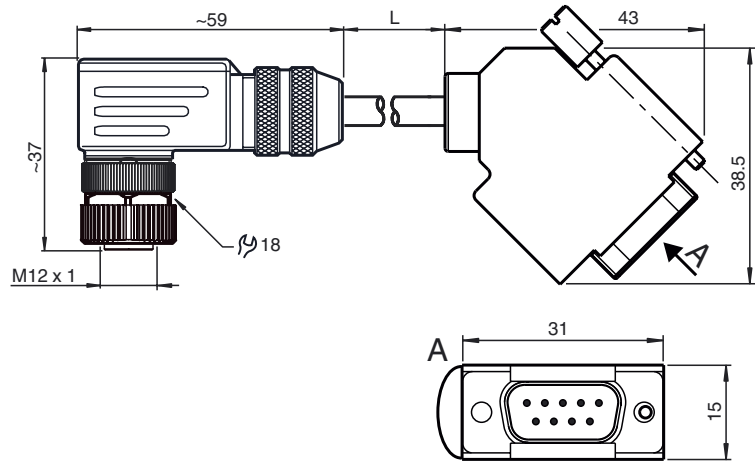


**Dimensions**



**Model Number**

**V19-W-1,5M-PUR-ABG-SUBD9-W-Y**

Connecting cable, M12 to SUB-D, PUR cable, 8-pin, shielded

**Features**

- Iris spring screening
- Metal housing
- Halogen-free
- Shield attached to coupling nut
- Bus termination resistor
- Twisted pair

**Technical data**

**General specifications**

Number of pins	8 + shield
Connection 1	socket
Construction type 1	right angle
Threading 1	M12
Connection 2	Male connector
Construction type 2	right angle
Threading 2	Sub-D

**Electrical specifications**

Operating voltage	$U_B$	max. 30 V AC/DC
Test voltage		> 1500 V <sub>eff</sub> AC
Operating current		max. 1.5 A
Volume resistance		< 5 mΩ

**Ambient conditions**

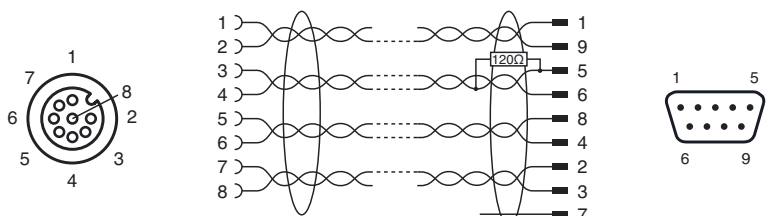
Ambient temperature	-20 ... 80 °C (-4 ... 176 °F)
Pollution Degree	3

**Mechanical specifications**

Contact elements	spring-loaded contact socket, pins
Pin diameter	1 mm
Protection degree	IP20 (Sub-D connector) IP67 (M12 socket)

<b>Material</b>	
Contacts	CuZn Ni/Au
Contact surface	Au
Body	Zinc die-casting, nickel-plated metallized plastic
Cable	PUR
Slotted nut	Zinc die-casting, nickel-plated
Core insulation	PP
<b>Cable</b>	
Cable	fine-strand, flexible, twisted pair
Sheath diameter	Ø 6 mm
Bending radius	Cable, moving: 60 mm, Cable, fixed: 30 mm
Color	grey
Cores	8 x 0.25 mm <sup>2</sup>
Conductor construction	19 x 0.127 mm Ø
Shield	grid covering 85 %
Length	L 1.5 m
<b>Flammability</b>	
Contact material	94 HB
Housing	94 V-2 / 94 V-0

**Electrical connection**



Release date: 2014-01-08 15:58 Date of issue: 2014-01-08 261756\_eng.xml

Refer to "General Notes Relating to Pepperl+Fuchs Product Information".