

### Model Number

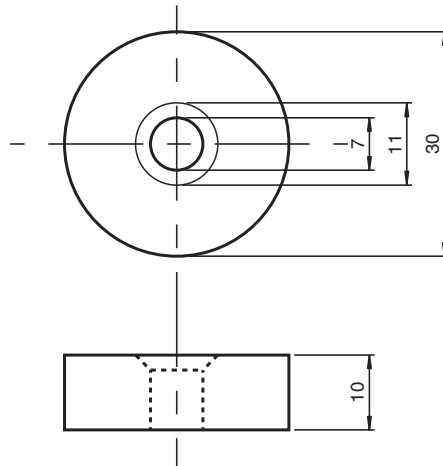
#### IQC21-30-EX smart-DOME 50pcs

Data carrier for hazardous area

### Features

- Operating frequency 13.56 MHz
- 64 bit Fixcode
- 896 bits memory available
- Mounting holes for simple installation
- ATEX-approval for zone 1 and zone 21
- Conforms to ISO 15693

### Dimensions



### Technical data

#### General specifications

Operating frequency	13.56 MHz
Transfer rate	26 kBit/s

#### Memory

Chip Type	I-CODE SLI (NXP)
Type/Size	EEPROM 896 Bit ROM 64 Bit

Read cycles	unlimited
Write cycles	> 100000
Data retention period	10 years at 55 °C (131 °F)

#### Ambient conditions

Ambient temperature	-25 ... 70 °C (-13 ... 158 °F)
Storage temperature	-40 ... 110 °C (-40 ... 230 °F)

#### Mechanical specifications

Protection degree	IP67
Material	
Housing	Polyurethane (PUR)
Note	Packaging unit, 50-piece

#### Compliance with standards and directives

Directive conformity	
ATEX Directive 94/9/EC	EN 60079-0:2009, EN 60079-11:2007, EN 61241-11:2006
R&TTE Directive 1995/5/EC	EN 302291-2:2005 V1.1.1
Standard conformity	
Electromagnetic compatibility	EN 302291-2:2005 V1.1.1
Protection degree	EN 60529:2000
RFID	ISO/IEC 15693-1:2010, ISO/IEC 15693-2:2006, ISO/IEC 15693-3:2009, ISO/IEC 18000-3:2008

### Notes

The surface containing the text must face the read/write head.