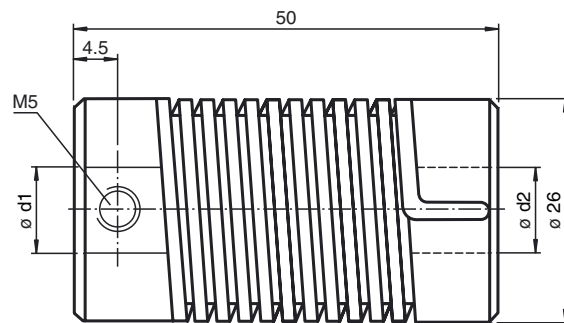




## Dimensions



### Model Number

**9401 10\*12,7**

Spring steel coupling

### Features

- Universally suitable for backlash-free rotation transmission
- Highly vibration-isolating
- Well misalignment compensation
- Low torsion spring stiffness
- Small reset forces
- No movable parts
- Very rugged construction

## Technical data

### Ambient conditions

Operating temperature -30 ... 120 °C (-22 ... 248 °F)

### Mechanical specifications

Shaft diameter d1 = 10 mm , d2 = 12.7 mm

Material

Spring spring steel, nickel plated

End piece Diecast zinc

Mass 100 g

Rotational speed max. 3000 min

Max. torque 1.5 Nm

Tightening torque, fastening screws 1.2 Nm

Radial offset max. ± 1.5 mm

Axial offset max. ± 1 mm

Angle error max. ± 5 °

Torsion angle at torque 0.75 Nm drive shaft view

CW rotation direction 40 °

CCW rotation direction 60 °

Moment of inertia 95 kg m<sup>2</sup> x 10<sup>-7</sup>

Mounting clamp screws M5 x 6, DIN 916

Tightening torque of clamping screws max. 3 Nm