



ECOLAB

Model number

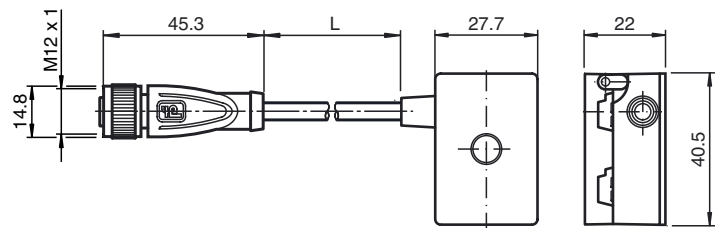
VAZ-2T1-FK-G10-PTC-2M-PUR-V1-G

G10 junction block, LED status indication, AS-Interface, and auxiliary power to 1x M12 round plug connector

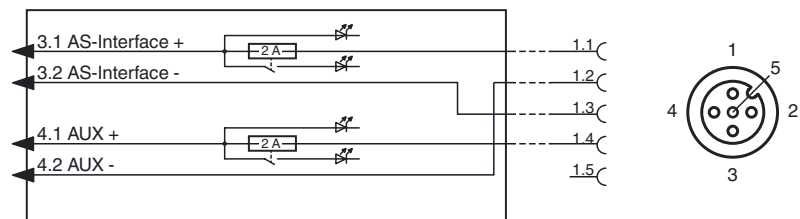
Features

- One piece housing
- Simple and fast mounting
- Electronic current limitation with LED display
- Gold-plated and machined contacts
- Oil and abrasion resistant PUR line appropriate for drag chains
- Immunity to vibration
- Degree of protection IP68 / IP69K
- Halogen-free

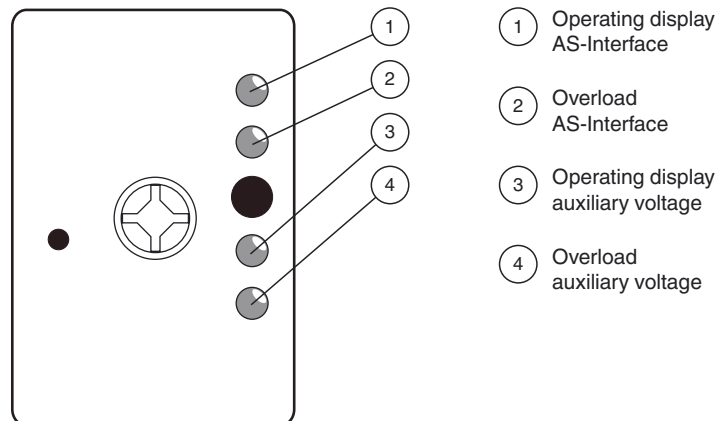
Dimensions



Electrical connection



Indicating / Operating means



Technical data

General specifications

| | |
|-------------------|--|
| Construction type | Socket, straight |
| | Flat cable terminals AS-Interface/ext. auxiliary voltage |

Functional safety related parameters

| | |
|--------------------------------|--------|
| MTTF _d | 2240 a |
| Mission Time (T _M) | 20 a |
| Diagnostic Coverage (DC) | 0 % |

Indicators/operating means

| | |
|--------------|--|
| LED Overload | Overload display output; red LED red: overload output |
| LED PWR | Operating voltage LED green Green: voltage OK |

Electrical specifications

| | | |
|-------------------------|----------------|--|
| Rated operating voltage | U _e | 10 ... 32 V PELV (AS-Interface , ext. auxiliary voltage AUX) |
| Protection class | | III |
| Short-circuit current | I _k | max. 40 A |
| Surge protection | | overvoltage category III |

Output

| | |
|--------------------------|-------------------------------------|
| Current loading capacity | 1.6 A (40 °C) per output |
| Response delay | approx. 4 s @ 8 A |
| Voltage drop | U_d 0.8 V at 2 A ; 0.3 V at 0.5 A |

Ambient conditions

| | |
|---------------------|--------------------------------|
| Ambient temperature | -25 ... 70 °C (-13 ... 158 °F) |
| Storage temperature | -25 ... 85 °C (-13 ... 185 °F) |

Mechanical specifications

| | |
|----------------------|---|
| Degree of protection | IP67 IP67 / IP68 / IP69K with flat cable VAZ-FK-S* |
| Connection | Flat cable AS-Interface: cable piercing method Flat cable ext. auxiliary voltage U_{AUX} : Insulation penetration technology Plug connection: M12 x 1 socket (V1) |

Material

| | |
|----------------|-----------------------------------|
| Contacts | CuSn / Au |
| Housing | PBT PC |
| Body | black PUR |
| Cable | PUR |
| Mounting screw | Stainless steel 1.4305 / AISI 303 |

Cable

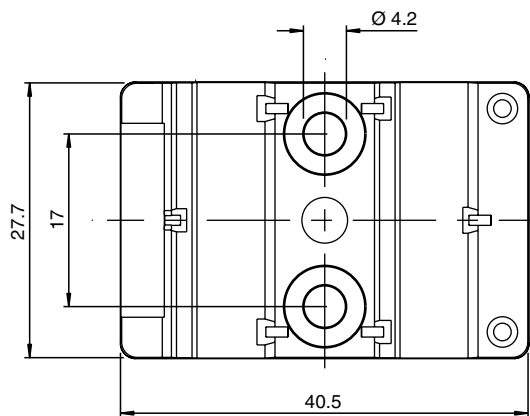
| | |
|-------------------------------------|--------------------------|
| Sheath diameter | Ø4,3 mm |
| Color | black |
| Cores | 4 x 0.34 mm ² |
| Length | L 2 m |
| Mass | 100 g |
| Tightening torque, fastening screws | 1.65 Nm |

Compliance with standards and directives

| | |
|---------------------------|--------------------------------------|
| Directive conformity | |
| EMC Directive 2004/108/EC | EN 61000-6-2:2005, EN 61000-6-4:2007 |
| Standard conformity | |
| Noise immunity | EN 61000-6-2:2005 |
| Emitted interference | EN 61000-6-4:2007 |
| Degree of protection | EN 60529:2000 |
| Fieldbus standard | EN 50295:1999, IEC 62026-2:2008 |

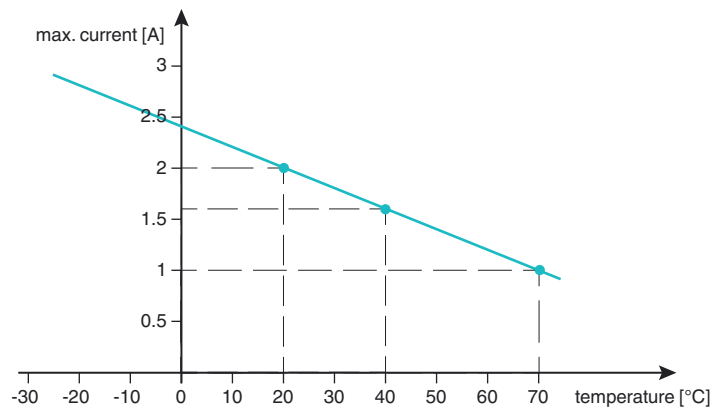
Notes**Mounting instructions**

You may screw the device onto a level mounting surface using two M4 attachment screws. The attachment screws are not included.



The current loading capacity of the splitter box is depending on the temperature.

Derating



After persistent or frequent short-circuits the internal fuse may open at a lower current.