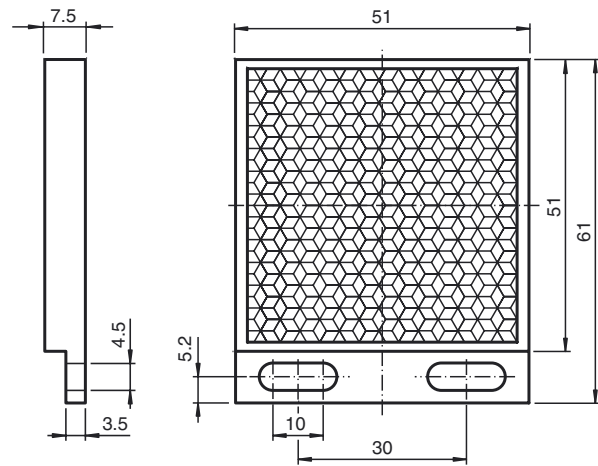


Dimensions



Model Number

REF-H50x60HT

Reflector, rectangular, 51 mm x 61 mm, mounting holes, retaining tab, high-temperature application and deep-freeze application

Features

- Mounting holes for simple installation
- High-temperature applications
- Deep-freeze applications

Technical data

General specifications

Construction type rectangular

Ambient conditions

Ambient temperature -20 ... 99 °C (-4 ... 210.2 °F)

Mechanical specifications

Material PC
 Dimensions 51 mm x 61 mm x 7.5 mm
 Mounting mounting holes

Note

The reflector is suitable for use in deep-freeze applications. The temperature range must not fall below -35 °C and must not exceed 85 °C.

When using a reflector at temperatures below -20 °C, it must be ensured that the device is mounted at room temperature (25 °C), as stress cracks may appear during mounting that can affect the mechanical strength.