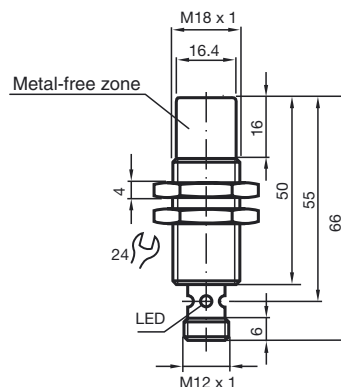
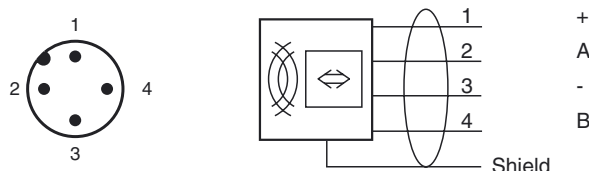
**Model Number****IQT1-18GM-R4-V1**

HF R/W system, ISO 15693

**Features**

- Operating frequency 13.56 MHz
- Conforms to ISO 15693
- Suitable for FRAM transponder
- Read/write head with thread M18 x 1
- Connection via V1 (M12 x 1) plug connection
- Multihole-LED for function display
- Degree of protection IP67

**Dimensions****Electrical connection****Technical data****General specifications**

|                     |             |
|---------------------|-------------|
| Operating frequency | 13.56 MHz   |
| Transfer rate       | 26 kBit/s   |
| Sensing range       |             |
| Read distance       | 0 ... 55 mm |
| Write distance      | 0 ... 55 mm |
| Width               | max. 45 mm  |
| UL File Number      | E87056      |

**Indicators/operating means**

|                  |  |
|------------------|--|
| LED green/yellow | Multihole-LED:<br>green: power on<br>green flashing: read/write attempt performed<br>yellow: data carrier detected |
|------------------|--|

**Electrical specifications**

|                         |       |   |
|-------------------------|-------|---|
| Rated operating voltage | $U_e$ | 10 ... 30 V DC, ripple 10 % <sub>SS</sub> , limited power source (EN 60950) |
| Power consumption       | $P_0$ | ≤ 1.2 W   |

**Interface**

|               |                                  |
|---------------|----------------------------------|
| Physical      | RS-485 point-to-point connection |
| Protocol      | ASCII                            |
| Transfer rate | 38400 Bit/s                      |
| Cable length  | ≤ 3 m                            |

**Ambient conditions**

|                     |                                |
|---------------------|--------------------------------|
| Ambient temperature | -25 ... 70 °C (-13 ... 158 °F) |
| Storage temperature | -40 ... 85 °C (-40 ... 185 °F) |

**Mechanical specifications**

|                            |                     |
|----------------------------|---------------------|
| Degree of protection       | IP67                |
| Connection                 | M12 x 1 connector   |
| Material                   |                     |
| Housing                    | PBT/stainless steel |
| Encapsulation compound     | CY 221/HY 2966      |
| Installation               | non-flush           |
| Distance between two heads | ≥ 80 mm             |
| Mass                       | approx. 40 g        |

**Compliance with standards and directives**

|                           |   |
|---------------------------|---|
| Directive conformity      |   |
| R&TTE Directive 1995/5/EC | EN 301489-1 V1.8.1 (2008-04), EN 301489-3 V1.4.1 (2002-08), EN 300330-2 V1.3.1 (2006-04), EN 60950-1:2006 |

## Standard conformity

|                               |   |
|-------------------------------|---|
| Electromagnetic compatibility | EN 61000-6-2, EN 61000-6-4                                    |
| Degree of protection          | EN 60529:2000   |
| RFID                          | ISO/IEC 15693-2:2006 , ISO/IEC 15693-3:2009 , ISO/IEC 18000-3 |

## Notes

**Power supply:**

The device must only be operated with a current source of limited power according to EN 60950.

**Preferences:**

Interface transfer rate: 38400 bps

Port settings: 8 data bits, no parity, 1 stop bit, no handshake

Transpondertype: 20

## Accessories

**IQC21-8 10pcs**

Data carrier

**IQC21-10 10pcs**

Data carrier

**IQC21-12.4 10pcs**

Data carrier

**IQC21-16 50pcs**

Data carrier

**IQC21-30P**

Data carrier

**IQC21-50P**

Data carrier

**IQC21-58**

Data carrier

**IQC21-C1**

Data carrier

**IQC21-F125 10pcs**

Data carrier

**IQC22-22-T9**

Data carrier

**IQC22-22CT-T9**

Data carrier

**IQC22-C1**

Data carrier

**IQC22-C4**

Data carrier

**IQC24-27-T12**

Data carrier

**IQC31-22-T9**

Data carrier

**IQC33-10 10pcs**

Data carrier

**IQC33-20**

Data carrier

**IQC33-30**

Data carrier

**IQC33-50**

Data carrier

**IQC21-50PVC**

Data carrier

**IQC21-F125**

Data carrier

**IQC33-20CT**

Data carrier