

### Model Number

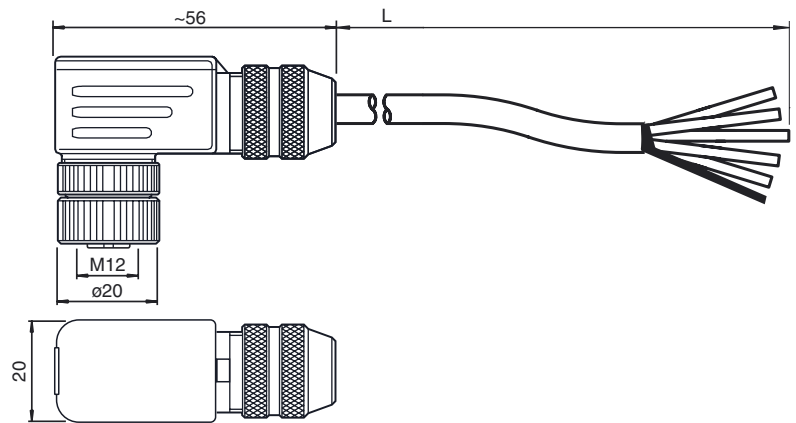
**V15B-W-15M-LIHCH-TP**

SSI bus cable, B-coded M12, 5-pin cable

### Features

- Metal housing
- Shield attached to coupling nut
- Halogen-free

### Dimensions



### Technical data

#### General specifications

Number of pins	5 + shield
Connection 1	socket
Construction type 1	right angle
Threading 1	M12
Connection 2	cable end

#### Electrical specifications

Operating voltage	$U_B$	max. 125 V DC
Operating current		max. 4 A
Volume resistance		< 3 m $\Omega$

#### Ambient conditions

Ambient temperature	cable, flexing: -5 ... 70 °C (23 ... 158 °F) cable, fixed: -30 ... 80 °C (-22 ... 176 °F)
Pollution Degree	3

#### Mechanical specifications

Degree of protection	IP67
Connection	5-pin, M12 x 1 socket, B-coded
Material	
Contacts	CuSn
Contact surface	Au
Body	Zinc die-casting, nickel-plated
Cable	Polymer compound
Slotted nut	Zinc die-casting, nickel-plated
Cable	3 pairs with 2 twisted cores each
Sheath diameter	Ø 7.3 mm
Bending radius	> 6 x cable diameter, fixed > 15 x cable diameter, induced
Color	grey
Cores	3 x 2 x 0.25 mm <sup>2</sup>
Conductor construction	14 x 0.15 mm Ø
Shield	grid covering 85 %
Length	L 15 m

### Electrical connection

