

Model Number

KCD2-E3

Sensor output interface terminal

Features

- 1-channel terminal amplifier
- NAMUR sensor input
- DC 24 V supply voltage
- Standard interface for prevention of signal transmission errors
- Switching status indicator, yellow LED
- Short-circuit proof electronic output
- Low noise sensitivity
- Compact terminal housing
- Clips onto standard 35 mm rail to DIN EN 50 022
- Degree of protection IP20

Technical data

Functional safety related parameters

MTTF_d 916 a

Indicators/operating means

LED yellow switch output

Electrical specifications

Operating voltage U_B 10 ... 30 V DC

Ripple $\leq 10\%$

Operating current approx. 22 mA

Input

Connection terminals 1+, 2-

Connectable sensor types NAMUR

Pulse length/pulse interval $\geq 0.5\text{ ms} / \geq 0.5\text{ ms}$

Short-circuit current approx. 8 mA

Sensor supply 8 V DC

Switching point 1.2 ... 2.1 mA hysteresis approx. 0.2 mA

Line fault detection without

Trip value 1 kHz

Output

Connection terminal 4+

Current 200 mA short-circuit protected

Transistor PNP

Signal level $U_B - 1.1\text{V}$

Transfer characteristics

Mode of operation NC contact

Switching frequency 1 kHz

Ambient conditions

Ambient temperature $-25 \dots 70\text{ }^\circ\text{C}$ ($-13 \dots 158\text{ }^\circ\text{F}$)

Storage temperature $-25 \dots 85\text{ }^\circ\text{C}$ ($-13 \dots 185\text{ }^\circ\text{F}$)

Mechanical specifications

Connection self-opening apparatus connection terminals, max. core cross-section $0.34 \dots 2.5\text{ mm}^2$

Mass 60 g

Dimensions $20 \times 60 \times 40$
(in mm)

Compliance with standards and directives

Directive conformity

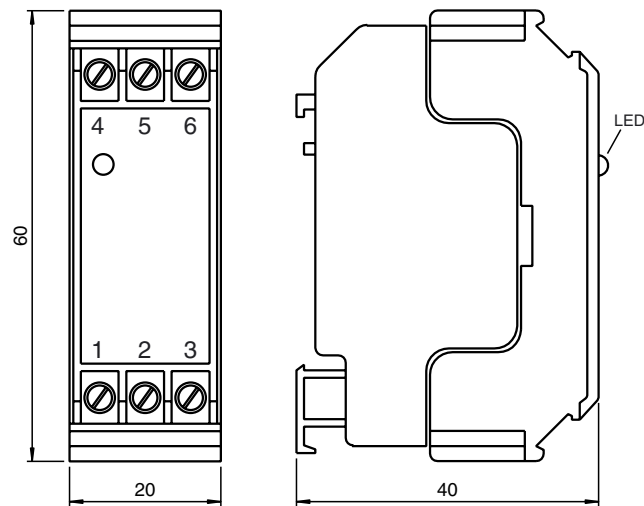
EMC Directive 2004/108/EC EN 61326-1:2006

Standard conformity

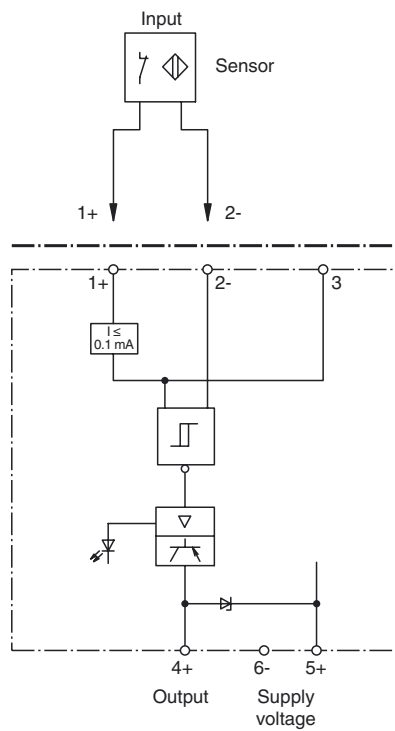
Noise immunity EN 61326-1:2006

Degree of protection EN 60529:2000

Dimensions



Electrical connection



Release date: 2014-11-04 15:05 Date of issue: 2014-11-04 268567_eng.xml