



Model Number

OBT15-R3-E2
 Triangulation sensor (BGS)
 with 2 m fixed cable

Features

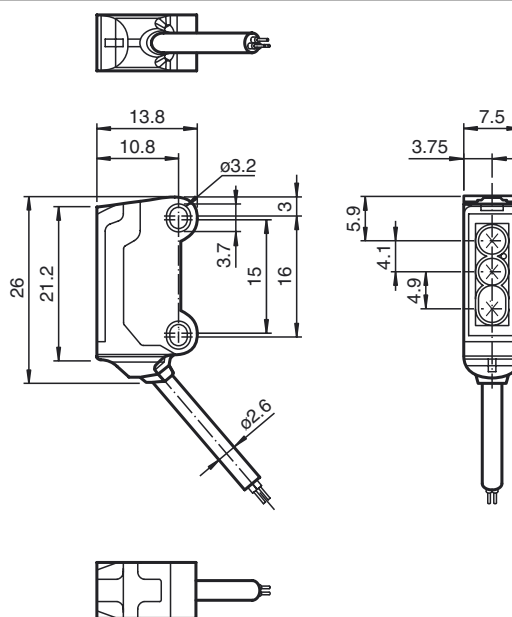
- 45° cable outlet for maximum mounting freedom under extremely tight space constraints
- Improvement in machine availability with abrasion-resistant, antistatic glass front
- Extremely small light spot for very high switching point accuracy
- Highly visible light spot, even on dark materials
- Precision object detection, almost irrespective of the color

Product information

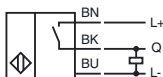
The R3 series nano sensor has been developed for a broad range of applications. It offers excellent durability and is exceptionally easy to install. The housing is compact and, with its 45° cable outlet, can be installed in the smallest spaces. New functional principles and functionality open up a range of new options. The abrasion-resistant lens allows long operating times close to the moving object.

Release date: 2015-05-18 09:09 Date of issue: 2015-05-18 269702_eng.xml

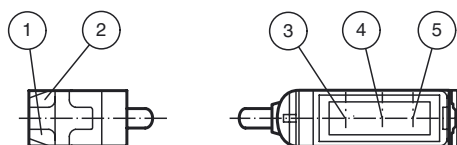
Dimensions



Electrical connection



Indicators/operating means



| | | |
|---|-------------------|--------|
| 1 | Operating display | green |
| 2 | Signal display | yellow |
| 3 | Emitter | |
| 4 | Receiver 1 | |
| 5 | Receiver 2 | |

Technical data

General specifications

| | |
|-----------------------------------|--------------------------------------|
| Detection range | 2 ... 15 mm |
| Background suppression | starts from 20 mm |
| Reference target | standard white, 100 mm x 100 mm |
| Light source | LED |
| Light type | modulated visible red light , 630 nm |
| Black/White difference (6 %/90 %) | < 5 % at 15 mm |
| Angle deviation | approx. 2 ° |
| Diameter of the light spot | approx. 2 mm at a distance of 15 mm |
| Angle of divergence | approx. 2 ° |
| Optical face | frontal |
| Ambient light limit | EN 60947-5-2 : 30000 Lux |

Functional safety related parameters

| | |
|--------------------------------|-------|
| MTTF _d | 800 a |
| Mission Time (T _M) | 20 a |
| Diagnostic Coverage (DC) | 0 % |

Indicators/operating means

| | |
|---------------------|---|
| Operation indicator | LED green: Power on flashing: Short circuit/overload indication |
| Function indicator | LED yellow ON: lights when object is detected |

Electrical specifications

| | | |
|------------------------|----------------|--------------------------|
| Operating voltage | U _B | 10 ... 30 V DC , class 2 |
| No-load supply current | I ₀ | < 10 mA |

Output

| | | |
|---------------------|---|----------------|
| Switching type | NO contact | |
| Signal output | 1 PNP output, short-circuit protected, reverse polarity protected, open collector | |
| Switching voltage | max. 30 V DC | |
| Switching current | max. 50 mA , resistive load | |
| Voltage drop | U _d | ≤ 1.5 V DC |
| Switching frequency | f | approx. 800 Hz |
| Response time | | 600 μs |

Ambient conditions

| | |
|---------------------|--------------------------------|
| Ambient temperature | -25 ... 60 °C (-13 ... 140 °F) |
| Storage temperature | -30 ... 70 °C (-22 ... 158 °F) |

Mechanical specifications

| | |
|----------------------|-----------------|
| Degree of protection | IP67 |
| Connection | 2 m fixed cable |
| Material | |
| Housing | PC/ABS and TPU |
| Optical face | glass |
| Cable | PUR |
| Mass | approx. 20 g |
| Cable length | 2 m |

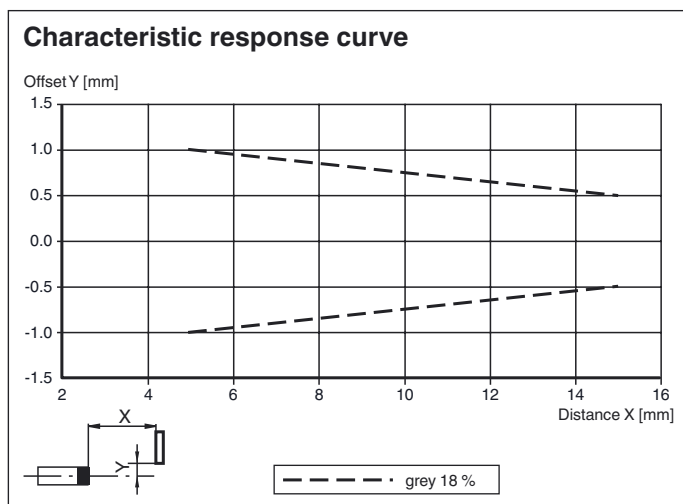
Compliance with standards and directives

| | |
|---------------------------|-------------------|
| Directive conformity | |
| EMC Directive 2004/108/EC | EN 60947-5-2:2007 |

Approvals and certificates

| | |
|--------------|--|
| UL approval | cULus Recognized, Class 2 Power Source |
| CCC approval | CCC approval / marking not required for products rated ≤36 V |

Curves/Diagrams



Accessories

MH-R2-01

Bracket for mounting R2 series sensors

MH-R2-02

Bracket for mounting R2 series sensors

MH-R2-03

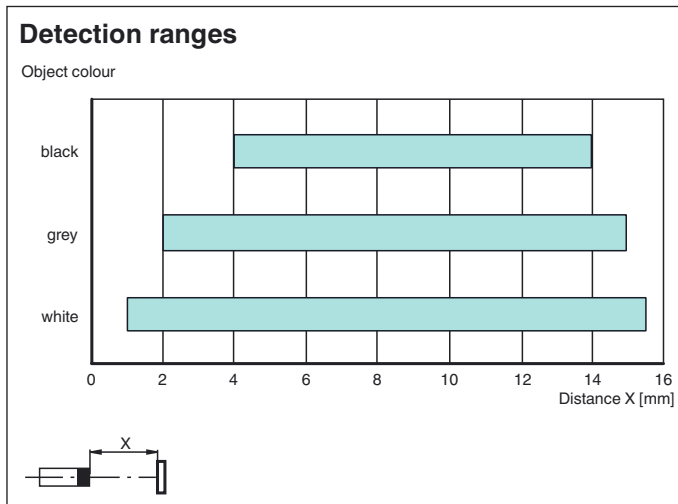
Bracket for mounting R2 series sensors

MH-R2-04

Bracket for mounting R2 series sensors

Other suitable accessories can be found at www.pepperl-fuchs.com

Release date: 2015-05-18 09:09 Date of issue: 2015-05-18 269702_eng.xml



Release date: 2015-05-18 09:09 Date of issue: 2015-05-18 269702_eng.xml

Refer to "General Notes Relating to Pepperl+Fuchs Product Information".

Pepperl+Fuchs Group
www.pepperl-fuchs.com

USA: +1 330 486 0001
fa-info@us.pepperl-fuchs.com

Germany: +49 621 776 4411
fa-info@de.pepperl-fuchs.com

Singapore: +65 6779 9091
fa-info@sg.pepperl-fuchs.com