



**Model Number**

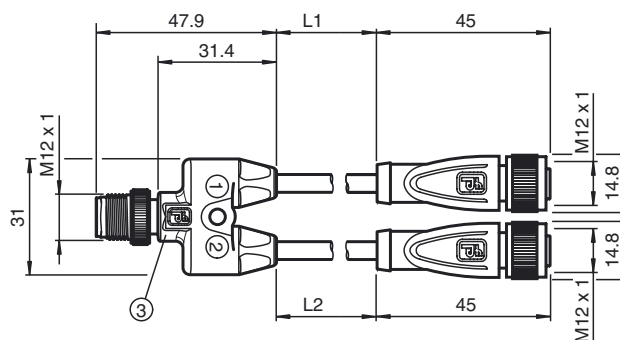
**V1-G-BK0,3M-PUR-A-TV1-G**

Y connecting cable, M12 to 2xM12, 4-pin, PUR cable

**Features**

- Simple assembling of 2 signals to one M12 plug-in station
- Improved resistance to weld slag
- Immunity to vibration, with mechanical latching
- Suitable for drag chains
- Suitable for robotic applications / torsion resistant
- Flame resistant cable
- Halogen-free
- Resistant to microbes and hydrolysis
- Free of paint coating substances

**Dimensions**



**Technical data**

**General specifications**

Number of pins 4

**Electrical specifications**

Operating voltage  $U_B$  max. 30 V AC/DC  
 Operating current  $I_B$  max. 4 A  
 Volume resistance  $\leq 5 \text{ m}\Omega$   
 Surge protection overvoltage category III

**Ambient conditions**

Ambient temperature Body: -40 ... 90 °C (-40 ... 194 °F)  
 cable, fixed: -40 ... 80 °C (-40 ... 176 °F)  
 cable, flexing: -25 ... 80 °C (-13 ... 176 °F)

Pollution Degree 3

**Mechanical specifications**

Contact elements spring-loaded contact socket  
 Pin diameter 1 mm  
 Degree of protection IP67  
 Connection 1 x M12 connector, straight  
 2 x M12 straight sockets

**Material**

Contacts CuSn / Au  
 Contact surface Au  
 Body TPU, black  
 Cable PUR  
 Slotted nut Diecast zinc  
 Sleeve connector Diecast zinc  
 Core insulation PP

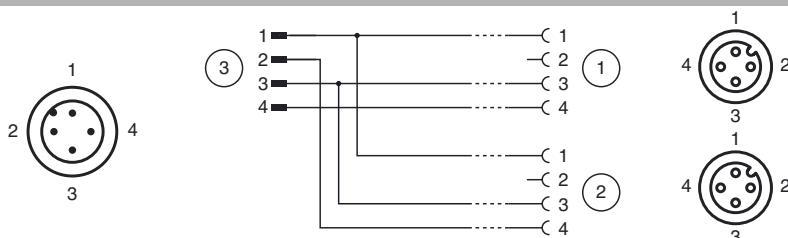
Cable extra-fine wire, flexible  
 Sheath diameter  $\varnothing 4.3 \text{ mm}$   
 Bending radius  $> 10 \times$  cable diameter, moving  
 $> 5 \times$  cable diameter, fixed

Color black  
 Cores  $4 \times 0.34 \text{ mm}^2$   
 Conductor construction  $42 \times 0.1 \text{ mm } \varnothing$   
 Length L L1 = 0.3 m  
 L2 = 0.3 m

Drag chain suitability  
 Drag chain cycles  $\geq 5000000$  (at max. 60 °C)  
 Motion velocity  $\leq 3.3 \text{ m/s}$   
 Traverse distance 5 m horizontal  
 Acceleration  $\leq 5 \text{ m/s}^2$   
 Torsion cycles  $\geq 1000000$  (at max. 60 °C)  
 Torsional stress  $\pm 180 \text{ }^\circ/\text{m}$

Flammability  
 Contact material 94 HB

**Electrical connection**



Release date: 2014-12-09 10:53 Date of issue: 2014-12-09 273559\_eng.xml

Refer to "General Notes Relating to Pepperl+Fuchs Product Information".

Housing	94 V-2
Cable	FT2
<b>Compliance with standards and directives</b>	
Standard conformity	
Degree of protection	EN 60529:2000
Standards	IEC 61076-2-101:2008
Flammability	Grip: UL 94 Cable: UL 758 / UL 1581
Halogen-free	IEC 60754-1:1994/DIN VDE 0472-815
<b>Approvals and certificates</b>	
UL approval	cURus AWM 20549

Release date: 2014-12-09 10:53 Date of issue: 2014-12-09 273559\_eng.xml