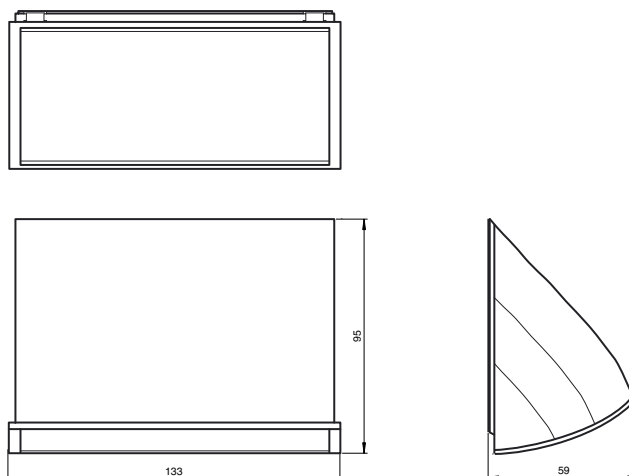


**Model number****Wetterschutzhaube PIR 20**

Weather hood for series PIR20

Features

- Protection from adverse effects of weather such as rain, snow, etc.

Dimensions**Technical data****Mechanical specifications**

Protection degree	IP54 (in the mounted state)
Material	ABS, black
Dimensions	133 mm x 95 mm x 60 mm
Mounting	Mounting accessories included

Suitable series

Series	PIR
--------	-----