



Model Number

AIR30-8-H-2500/32/76a

Active infrared scanner
with 5 m fixed cable

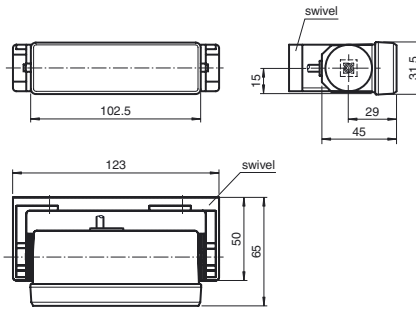
Features

- Single-beam light scanner
- Can be used to monitor both main and ancillary closing edges
- Closing edge safety on revolving doors and carousel doors
- Accurate beam alignment thanks to finely bundled light beam
- Background suppression operating mode: ignores objects outside the sensing range

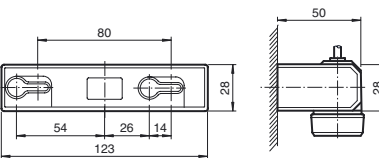
Product information

AIR30 is a series of active infrared scanners with excellent optical properties for monitoring closing edges in a wide range of door systems. The diverse range of housings and mounting options allow the devices to be adapted to suit a whole host of mounting conditions.

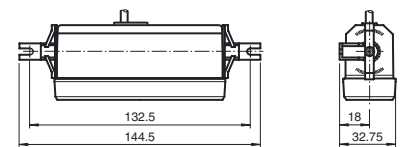
Dimensions



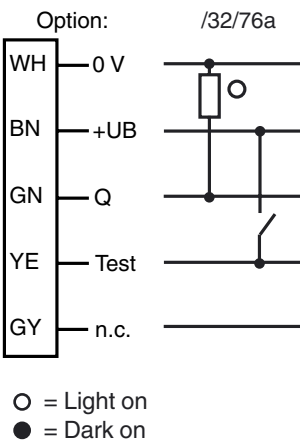
Mounting dimensions for swivel



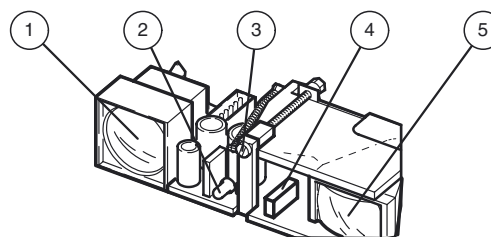
Mounting dimensions with mounting bracket set AIR30



Electrical connection



Indicators/operating means



1	Transmitter
2	Indication-LED
3	Detection range adjuster
4	Light / Dark switch
5	Receiver

Release date: 2013-06-14 13:18 Date of issue: 2013-06-19 418009_eng.xml

Subject to modifications without notice

Pepperl+Fuchs Group
www.pepperl-fuchs.com

USA: +1 330 486 0001
fa-info@us.pepperl-fuchs.com

Germany: +49 621 776-4411
fa-info@pepperl-fuchs.com

Copyright Pepperl+Fuchs
Singapore: +65 6779 9091
fa-info@sg.pepperl-fuchs.com

Technical data**General specifications**

Detection range min.	550 ... 1000 mm
Detection range max.	550 ... 2500 mm
Light source	IREL
Light type	modulated infrared light
Black/White difference (6%/90%)	≤ 400 mm at a distance of 2000 mm
Transmitter frequency	1800 Hz
Operating mode	Background suppression
Diameter of the light spot	50 mm at 2000 mm sensor range
Angle of divergence	approx. 1.4 °
Accessories provided	Swivel bracket, Mounting bracket

Functional safety related parameters

MTTF _d	1050 a
Mission Time (T _M)	20 a
Diagnostic Coverage (DC)	90 %

Indicators/operating means

Function display	LED red: lights up when output is active
Controls	Detection range adjuster, light/dark switch

Electrical specifications

Operating voltage	U _B	10 ... 30 V DC
No-load supply current	I ₀	100 mA

Input

Test input	emitter deactivation at +U _B
------------	---

Output

Switching type	light/dark on, switchable
Signal output	1 PNP output, short-circuit protected, reverse polarity protected, open collector
Switching voltage	30 V DC
Switching current	≤ 200 mA
Response time	70 ms
De-energized delay	t _{off} approx. 200 ms

Ambient conditions

Ambient temperature	-20 ... 60 °C (-4 ... 140 °F)
Storage temperature	-20 ... 75 °C (-4 ... 167 °F)

Mechanical specifications

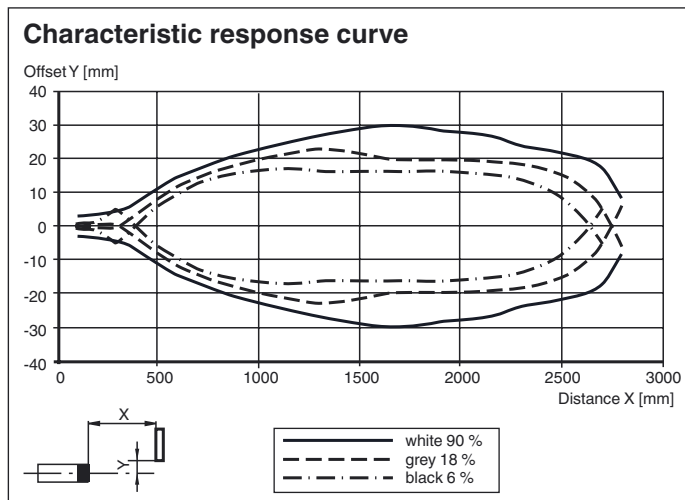
Protection degree	IP52
Connection	5 m fixed cable
Material	
Housing	plastic
Optical face	Luran
Mass	50 g

Compliance with standards and directives

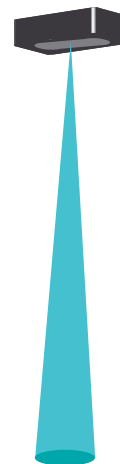
Standard conformity	
Standards	EN 60947-5-2 EN 61000-6-2 without EN 61000-4-5, EN 61000-4-11 EN 61000-6-3

Approvals and certificates

CE conformity	yes
CCC approval	CCC approval / marking not required for products rated ≤36 V

Curves/Diagrams**Typical applications**

- Monitoring closing edges and crushing points on revolving doors and carousel doors
- Door monitoring system in local public transportation

Detection area**Accessories****UP-Einbaurahmen**

Mounting frame for sensors in the AIR30 and PROSCAN series

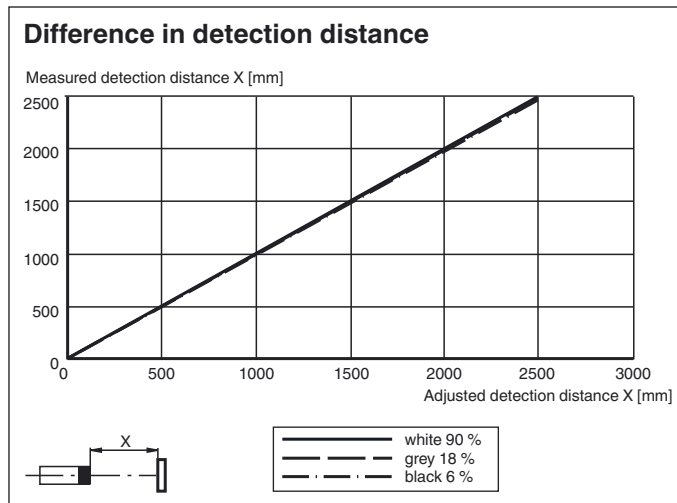
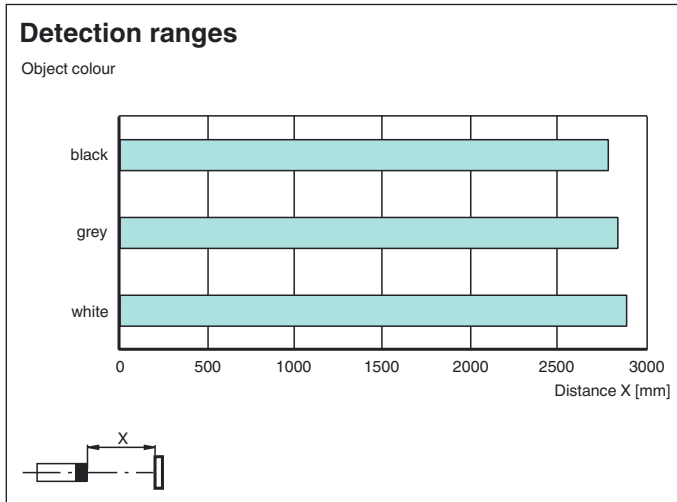
Flush Mounting AIR30

Installation cover for AIR30 series sensors

Wetterhaube AIR30

Weather hood for series AIR30

Other suitable accessories can be found at www.pepperl-fuchs.com



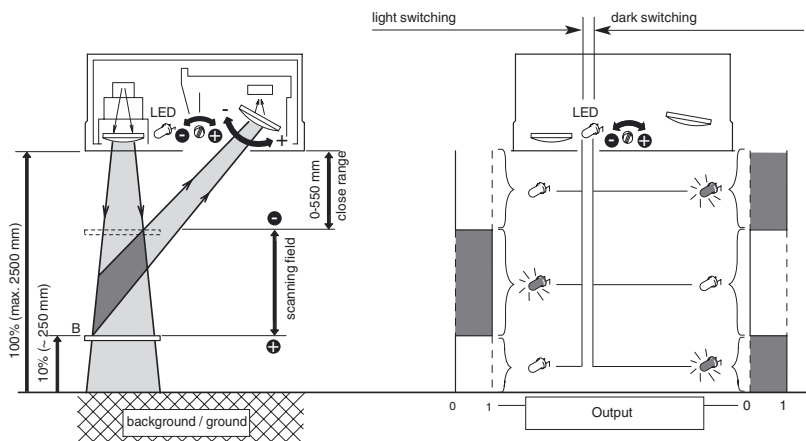
Operating principle

Active infrared scanners detect people and objects using short-wave infrared radiation according to the triangulation principle. A switch signal is tripped if the infrared beam emitted is reflected by an object within the specified sensing range. Where background suppression is activated, the background (e.g. ground) is detected but not evaluated.

This allows an extremely precise detection area to be set and ensures reliable detection of people, vehicles and other objects.

Function principle background suppression

Object in scanning field:



Release date: 2013-06-14 13:18 Date of issue: 2013-06-19 418009_eng.xml

Subject to modifications without notice

Pepperl+Fuchs Group
www.pepperl-fuchs.com

USA: +1 330 486 0001
fa-info@us.pepperl-fuchs.com

Germany: +49 621 776-4411
fa-info@pepperl-fuchs.com

Copyright Pepperl+Fuchs

Singapore: +65 6779 9091
fa-info@sg.pepperl-fuchs.com