



Model Number

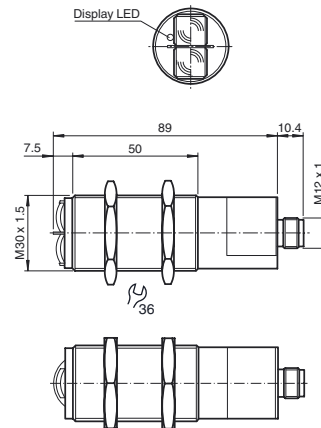
GLV30-8-H-2407

Background suppression sensor connector M12 x 1, 4-pin

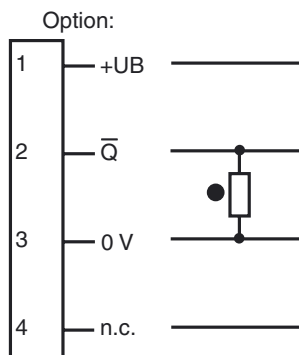
Features

- M30 plastic housing
- Dark-On switching

Dimensions

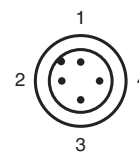


Electrical connection



- = Light on
- = Dark on

Pinout



Release date: 2012-04-10 14:37 Date of issue: 2012-04-10 4-19286_eng.xml

Technical data**General specifications**

Detection range	50 ... 1000 mm
Background suppression	starts from 2000 mm
Light source	IREL
Light type	modulated infrared light
Black/White difference (6%/90%)	< 700 mm
Approvals	CE
Diameter of the light spot	30 mm at a distance of 1000 mm
Angle of divergence	$\pm 1^\circ$
Ambient light limit	30000 Lux

Indicators/operating means

Function display	LED yellow, lights up if receiver is not lit
------------------	--

Electrical specifications

Operating voltage	U_B	24 V DC \pm 20 %
Ripple		10 %
No-load supply current	I_0	30 mA

Output

Switching type	dark on	
Signal output	1 PNP, short-circuit protected, reverse polarity protected, open collector	
Switching voltage	max. 30 V DC	
Switching current	max. 200 mA	
Switching frequency	f	25 Hz
Response time		20 ms

Standard conformity

Standards	EN 60947-5-2
-----------	--------------

Ambient conditions

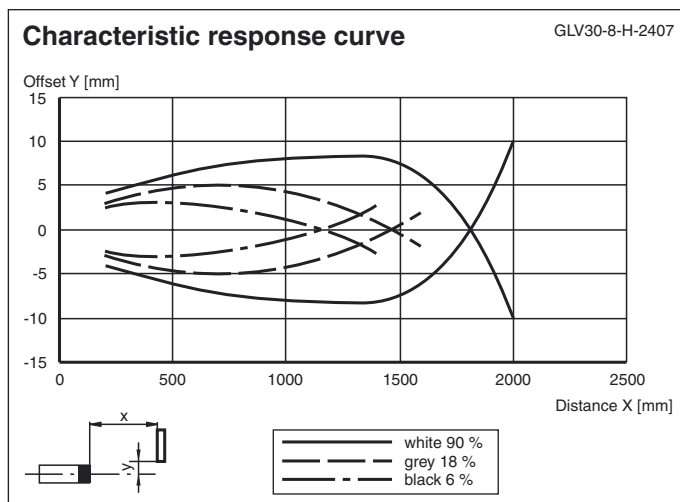
Ambient temperature	-20 ... 60 °C (-4 ... 140 °F)
Storage temperature	-20 ... 75 °C (-4 ... 167 °F)

Mechanical specifications

Protection degree	IP67
Connection	Plastic connector M12 x 1, 4-pin
Material	
Housing	ABS
Optical face	plastic lenses
Mass	approx. 70 g

Approvals and certificates

CCC approval	Products with a maximum operating voltage of ≤ 36 V do not bear a CCC marking because they do not require approval.
--------------	--

Curves/Diagrams**Accessories****V1-G-2M-PUR**

Cable socket, M12, 4-pin, PUR cable

V1-W-2M-PUR

Cable socket, M12, 4-pin, PUR cable

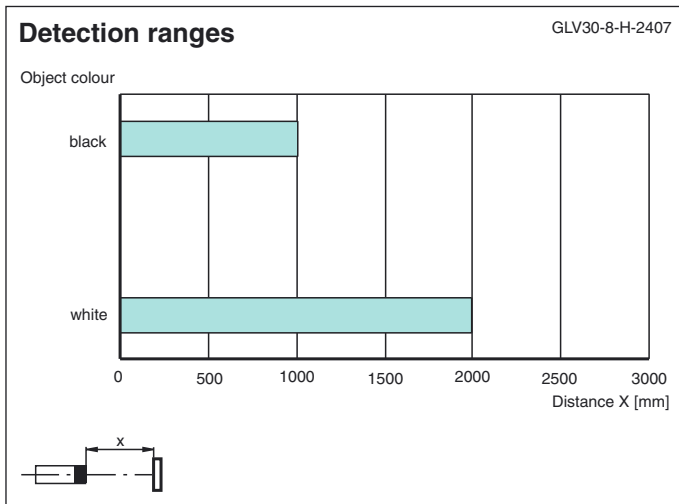
BF 30

Mounting flange, 30 mm

BF 30-F

Mounting flange with dead stop, 30 mm

Other suitable accessories can be found at www.pepperl-fuchs.com



Release date: 2012-04-10 14:37 Date of issue: 2012-04-10 4 19286_eng.xml

Subject to modifications without notice

Pepperl+Fuchs Group
www.pepperl-fuchs.com

USA: +1 330 486 0001
fa-info@us.pepperl-fuchs.com

Germany: +49 621 776-4411
fa-info@pepperl-fuchs.com

Copyright Pepperl+Fuchs
Singapore: +65 6779 9091
fa-info@sg.pepperl-fuchs.com