



Model Number

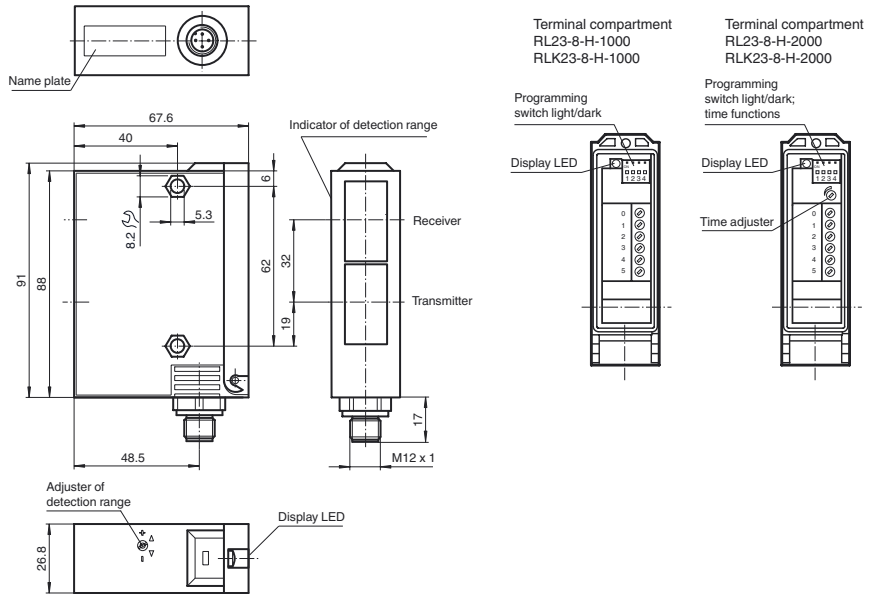
RL23-8-H-2000-IR/47/92/104

Background suppression sensor
with M12, 4-pin metal connector

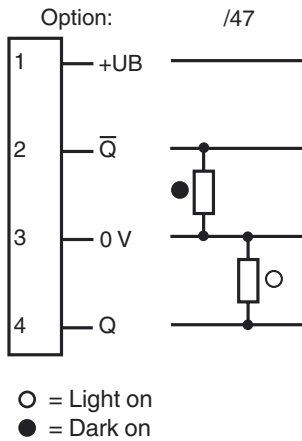
Features

- Adjustable background suppression
- Infrared light
- Timer function
- Sturdy plastic housing
- Optical surface made of scratch-resistant glass
- Protected against mutual interference (no cross-talk)

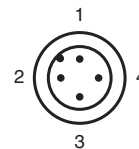
Dimensions



Electrical connection



Pinout



Release date: 2014-01-22 08:26 Date of issue: 2014-01-22 419464_eng.xml

Refer to "General Notes Relating to Pepperl+Fuchs Product Information".

Pepperl+Fuchs Group
www.pepperl-fuchs.com

USA: +1 330 486 0001
fa-info@us.pepperl-fuchs.com

Germany: +49 621 776 4411
fa-info@de.pepperl-fuchs.com

Singapore: +65 6779 9091
fa-info@sg.pepperl-fuchs.com

Technical data**General specifications**

Detection range	50 ... 2000 mm
Detection range min.	50 ... 150 mm
Detection range max.	50 ... 3000 mm
Light source	IREd
Light type	modulated infrared light
Black/White difference (6 %/90 %)	< 20 %
Diameter of the light spot	50 mm at 2000 mm sensor range
Angle of divergence	1.5 °
Ambient light limit	5000 Lux

Functional safety related parameters

MTTF _d	540 a
Mission Time (T _M)	20 a
Diagnostic Coverage (DC)	60 %

Indicators/operating means

Function indicator	LED yellow, lights up with receiver lit
Control elements	Programming switch for light/dark switching
Control elements	Detection range adjuster
Control elements	Time adjuster

Electrical specifications

Operating voltage	U _B	10 ... 30 V DC
Ripple		10 %
No-load supply current	I ₀	100 mA

Output

Switching type	light/dark on	
Signal output	2 PNP, complementary, short-circuit protected, reverse polarity protected	
Switching voltage	30 V DC	
Switching current	max. 200 mA	
Switching frequency	f	10 Hz
Response time		50 ms
Timer function	ON delay (GAN), OFF delay (GAB), one shot (IAB), programmable, adjustment range 0.1 ... 10 s	

Ambient conditions

Ambient temperature	-20 ... 60 °C (-4 ... 140 °F)
Storage temperature	-20 ... 75 °C (-4 ... 167 °F)

Mechanical specifications

Protection degree	IP65
Connection	4-pin, M12 x 1 connector
Material	
Housing	Terluran GV15
Optical face	glass
Mass	180 g

Compliance with standards and directives

Standard conformity	
Product standard	EN 60947-5-2:2007 IEC 60947-5-2:2007

Approvals and certificates

UL approval	cULus
CCC approval	CCC approval / marking not required for products rated ≤36 V

Accessories**OMH-05**

Mounting aid for round steel ø 12 mm or sheet 1.5 mm ... 3 mm

OMH-07

Mounting aid for round steel ø 12 mm or sheet 1.5 mm ... 3 mm

OMH-21

Mounting bracket

OMH-22

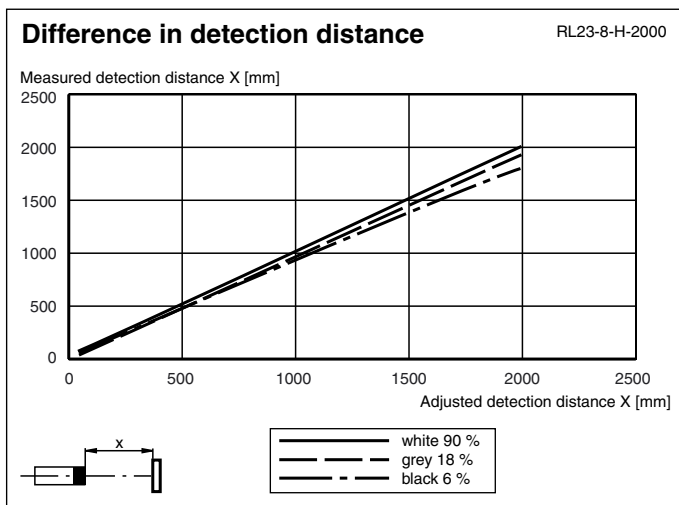
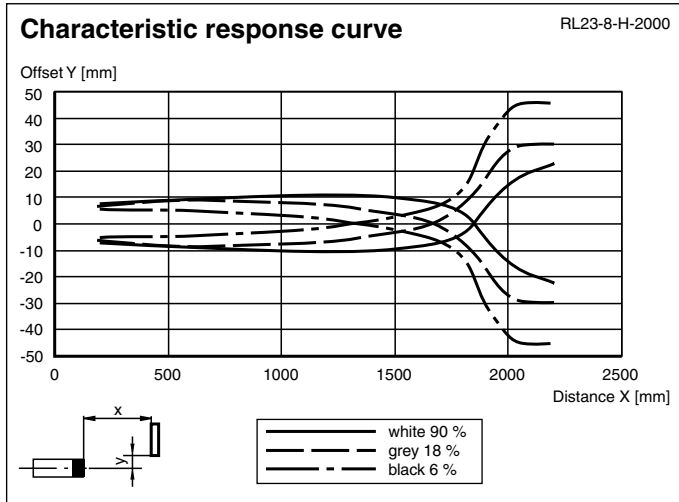
Mounting bracket

OMH-RLK29-HW

Mounting bracket for rear wall mounting

Other suitable accessories can be found at www.pepperl-fuchs.com

Curves/Diagrams



Timer functions

Timer function	Switching type	Receiver exposed	Receiver dark
ON Without	Light	ON	OFF
ON ON delay	Light	ON	OFF
ON OFF delay	Light	OFF	ON
ON one shot	Light	ON	OFF
	Dark	OFF	ON

Time t_{ON} , t_{OFF} and t_{OS} are adjustable from 0.1 to 10 seconds.
 The Light-/Dark-Switch (Left, outer switch) is shown in the "Dark ON" position.

Type	Description	Notes
-Z	OFF delay timer	Adjustable time interval (0.1 s - 10 s)
	one shot timer	
	ON delay timer	

Light/Dark switch

ON	Dark on
----	---------

Release date: 2014-01-22 08:26 Date of issue: 2014-01-22 419464_eng.xml

<p>ON </p>	<p>Light on</p>
---	-----------------