



Model Number

KT10-8-H-8

Background suppression sensor with 1.5 m fixed cable

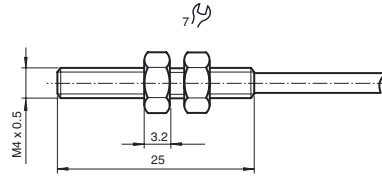
Features

- Miniature design in M4 housing
- Housing material: stainless steel
- Fastening nuts designed so that they cannot be over tightened
- Signal converters SU10... or SU11... are suitable to operate

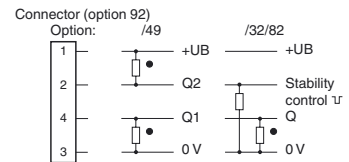
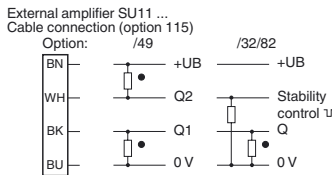
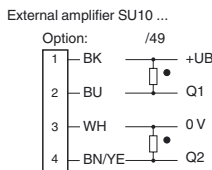
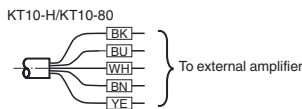
Product information

The KT10 series features high switching accuracy, color independence, are highly resistant to dust and solvents, have high sensing ranges, which ideally suits these sensors for applications in printing and packaging industry as well as in medical and pharmaceutical applications.

Dimensions



Electrical connection



○ = Light on
● = Dark on

Release date: 2012-09-06 10:00 Date of issue: 2012-09-06 419495_eng.xml

Technical data**General specifications**

Detection range	0.5 ... 8 mm
Detection range min.	0.5 ... 8 mm
Detection range max.	0.5 ... 10 mm
Background suppression	starts from 10 mm
Light source	IRED
Light type	modulated infrared light , 870 nm
Black/White difference (6 %/90 %)	≤ 10 %
Diameter of the light spot	2 mm at 8 mm sensor range
Angle of divergence	approx. 12 °
Ambient light limit	50000 Lux

Functional safety related parameters

MTTF _d	63070 a
Mission Time (T _M)	20 a
Diagnostic Coverage (DC)	0 %

Electrical specifications

Operating voltage	U _B	see accessory: signal transformer
-------------------	----------------	-----------------------------------

Output

Signal output	see accessory: signal transformer
---------------	-----------------------------------

Ambient conditions

Ambient temperature	-20 ... 60 °C (-4 ... 140 °F)
Storage temperature	-20 ... 75 °C (-4 ... 167 °F)

Mechanical specifications

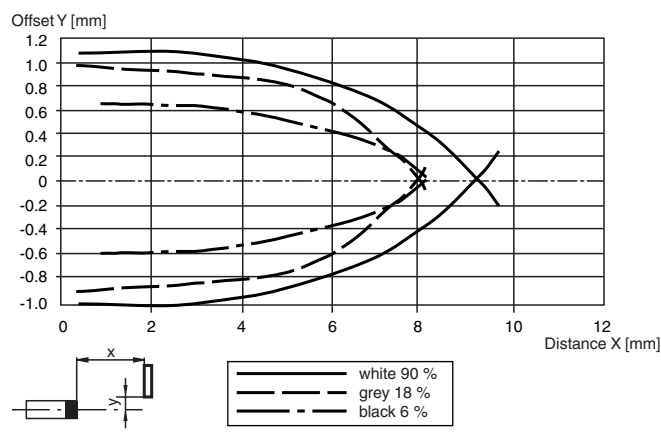
Protection degree	IP65
Connection	1500 mm fixed cable
Material	
Housing	Stainless steel 1.4305 / AISI 303
Optical face	glass
Cable	PVC
Cable	
Sheath diameter	2.9 mm
Color	black
Mass	20 g

Compliance with standards and directives

Standard conformity	
Product standard	EN 60947-5-2:2007 IEC 60947-5-2:2007
Shock and impact resistance	IEC / EN 60068. half-sine, 40 g in each X, Y and Z directions
Vibration resistance	IEC / EN 60068-2-6. Sinus. 10 -150 Hz, 5 g in each X, Y and Z directions

Approvals and certificates

CCC approval	Products with a maximum operating voltage of ≤36 V do not bear a CCC marking because they do not require approval.
--------------	--

Curves/Diagrams**Characteristic response curve****Accessories****SU11/40a/49/92**

Signal transformer

SU11/32/40a/82b/92

Signal transformer

SU11/40a/49/115

Signal transformer

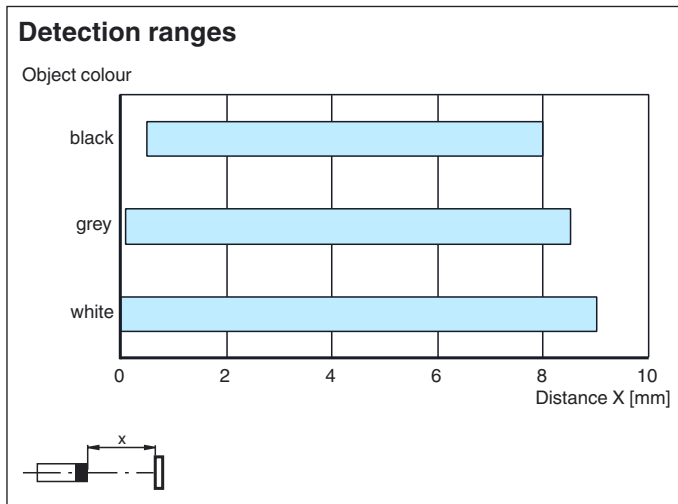
SU10/40a/49/116

Signal transformer

BF 4

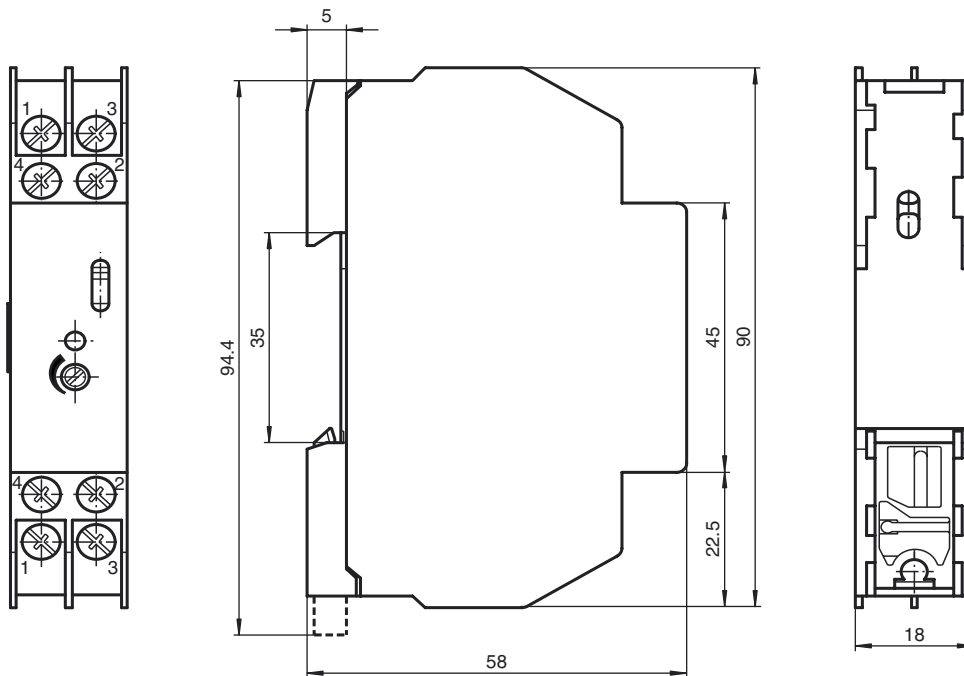
Mounting flange, 4 mm

Other suitable accessories can be found at www.pepperl-fuchs.com



Dimensions of the signal converters

Signal converter SU10/40a/49/116



Release date: 2012-09-06 10:00 Date of issue: 2012-09-06 419495_eng.xml

Subject to modifications without notice

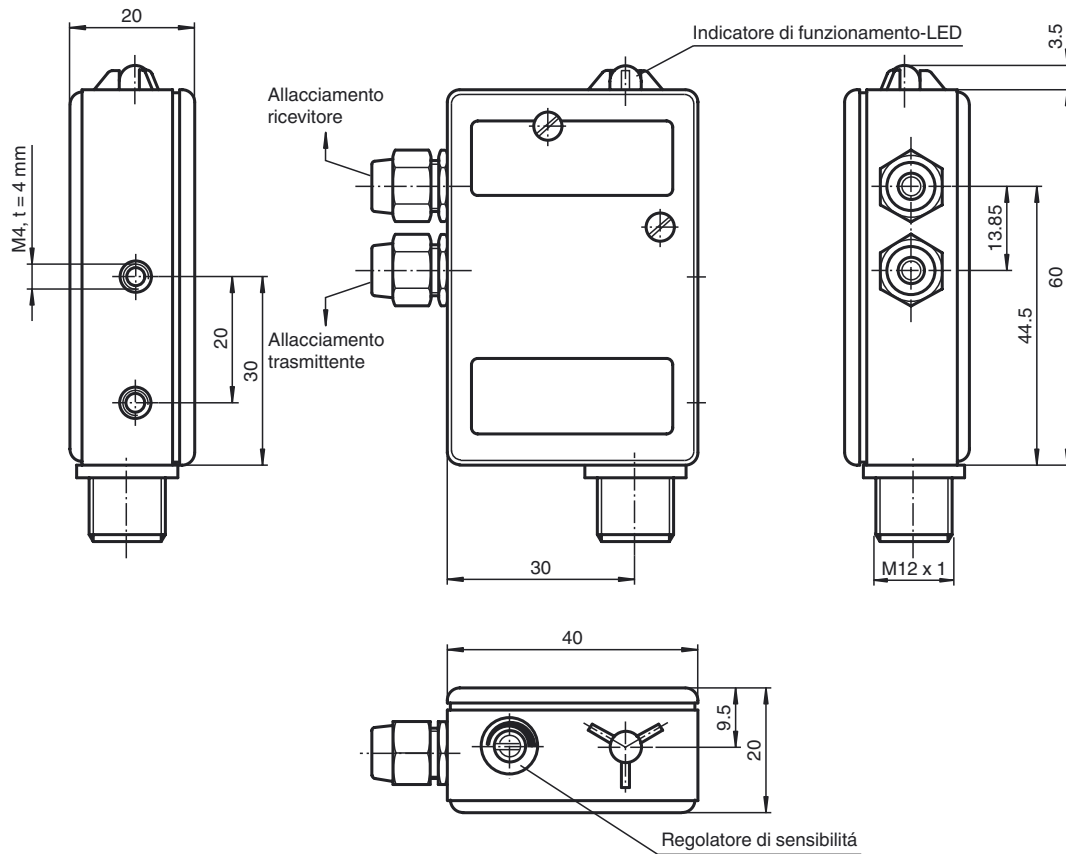
Pepperl+Fuchs Group
www.pepperl-fuchs.com

USA: +1 330 486 0001
fa-info@us.pepperl-fuchs.com

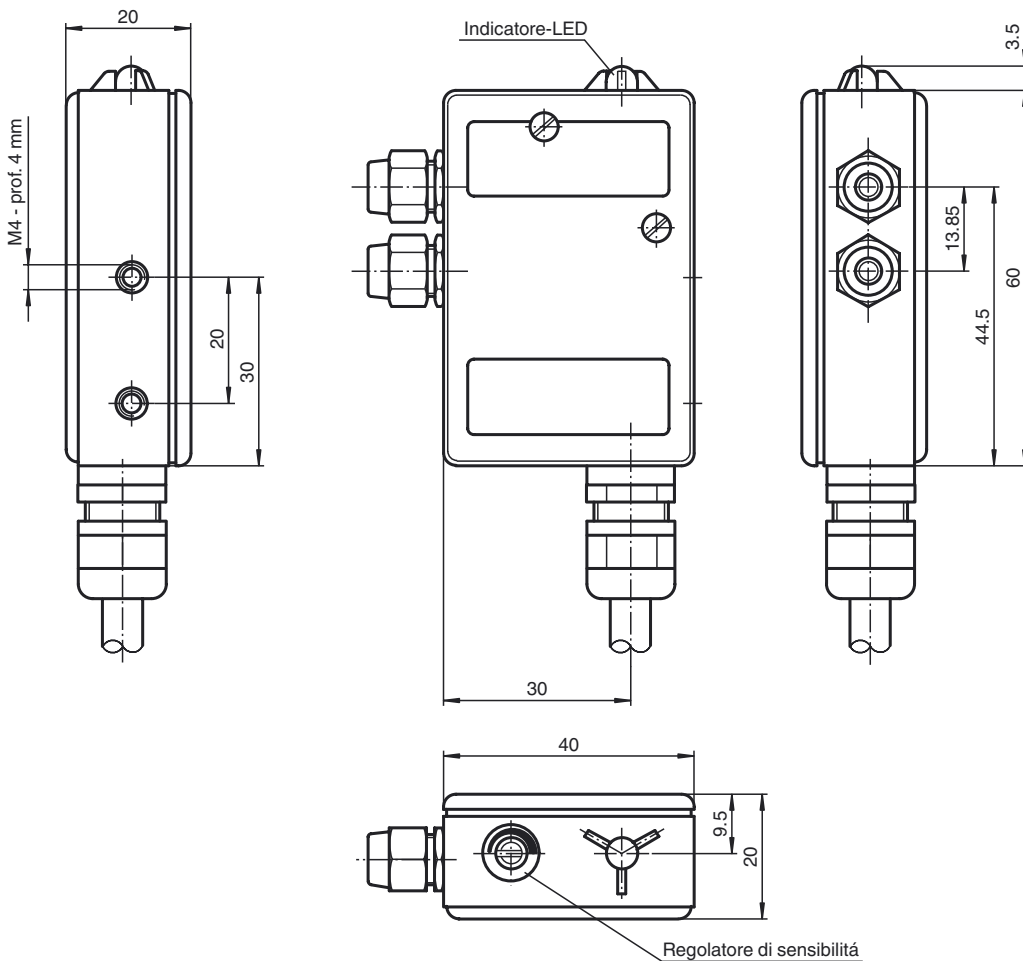
Germany: +49 621 776-4411
fa-info@pepperl-fuchs.com

Copyright Pepperl+Fuchs
Singapore: +65 6779 9091
fa-info@sg.pepperl-fuchs.com

Signal converter SU11/.../92



Signal converter SU11/.../115



Release date: 2012-09-06 10:00 Date of issue: 2012-09-06 419495_eng.xml