



Model Number

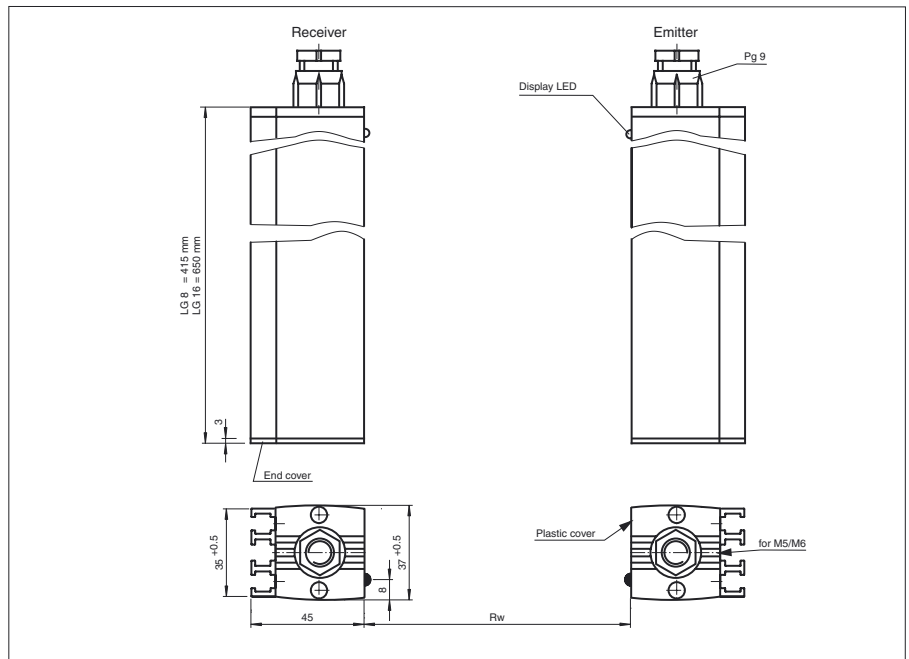
LG16-G-150-K-2-W

Light grid
with terminal compartment

Features

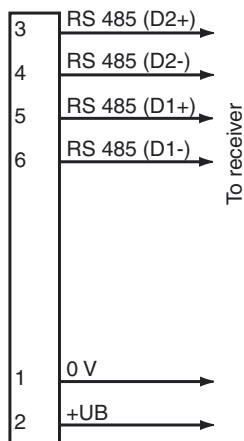
- Sensing range up to 1500 mm
- High-resolution light grid
- Suited for recording of transparent objects
- Light grid with 16 beams, crossed or parallel
- Smallest obstacle size 14 mm
- Automatic switching threshold adaptation eliminates soiling effects

Dimensions

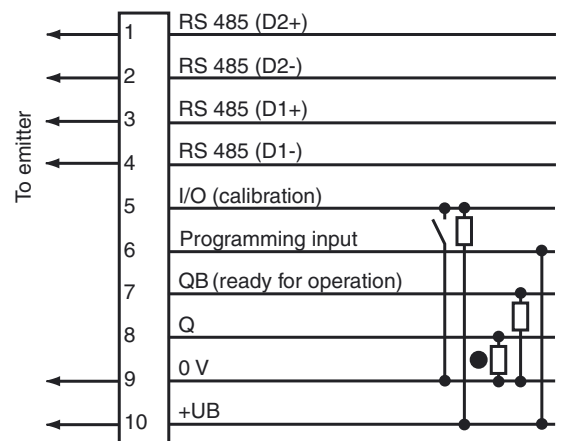


Electrical connection

Emitter



Receiver



- = Light on
- = Dark on

Technical data**General specifications**

Effective detection range	800 ... 1500 mm
Threshold detection range	1500 mm
Sensing range	0 ... 1500 mm
Light source	IREL
Light type	modulated infrared light
Field height	470 mm
Target size	14 mm
Beam spacing	30 mm
Number of beams	16
Angle of divergence	emitter $\pm 8^\circ$, receiver $\pm 24^\circ$
Ambient light limit	50000 Lux

Indicators/operating means

Function indicator	LED yellow, functional readiness, LED red, switching state, lights up when the beam field is interrupted
--------------------	--

Electrical specifications

Operating voltage	U_B	24 ... 28 V DC
Ripple		5 %

Input

Function input	Automatic calibration according to application of the power supply, duration approx. 5 s
----------------	--

Output

Switching type	dark on	
Signal output	1 PNP, short-circuit protected, open collector	
Switching voltage	max. 28 V DC	
Switching current	100 mA	
Switching frequency	f	12 Hz
Response time	20 ms	

Ambient conditions

Ambient temperature	-15 ... 50 °C (5 ... 122 °F)
Storage temperature	-20 ... 70 °C (-4 ... 158 °F)

Mechanical specifications

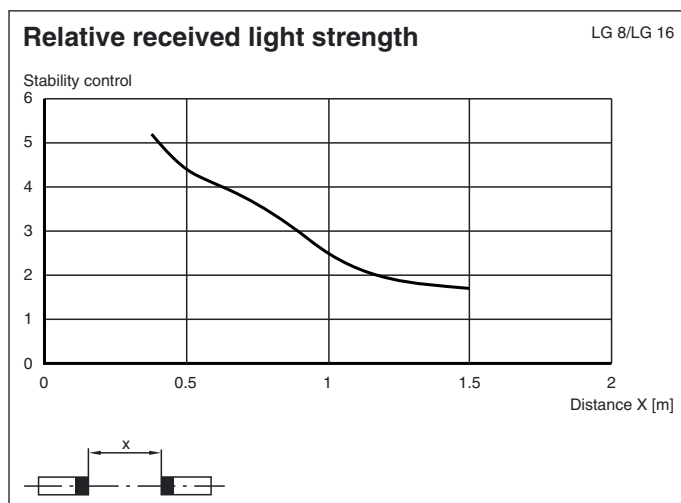
Protection degree	IP54
Connection	PG9 terminal compartment with screw terminals
Material	
Housing	aluminum
Optical face	PMMA
Mass	emitter 900 g, receiver 950 g

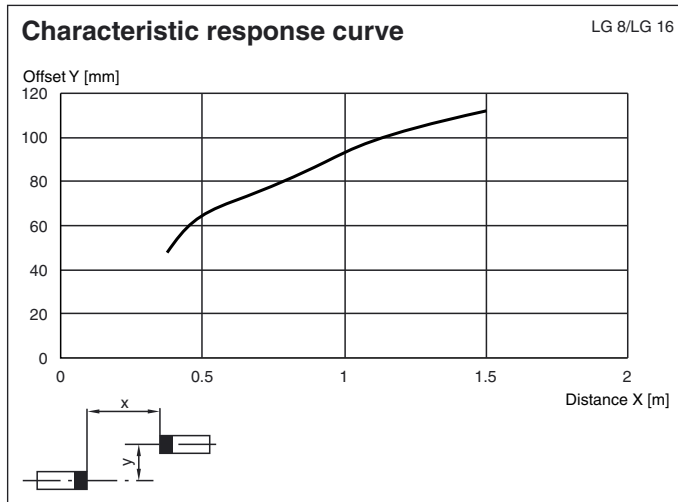
Compliance with standards and directives

Directive conformity	EMC Directive 2004/108/EC
Standard conformity	
Product standard	EN 60947-5-2:2007 IEC 60947-5-2:2007

Approvals and certificates

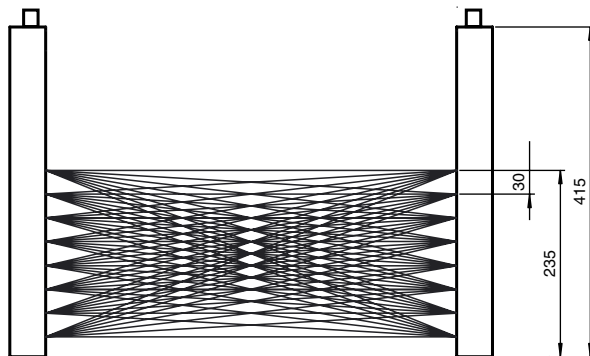
CCC approval	CCC approval / marking not required for products rated ≤ 36 V
--------------	--

Curves/Diagrams



Course of the beam

LG8-G



LG16-G

