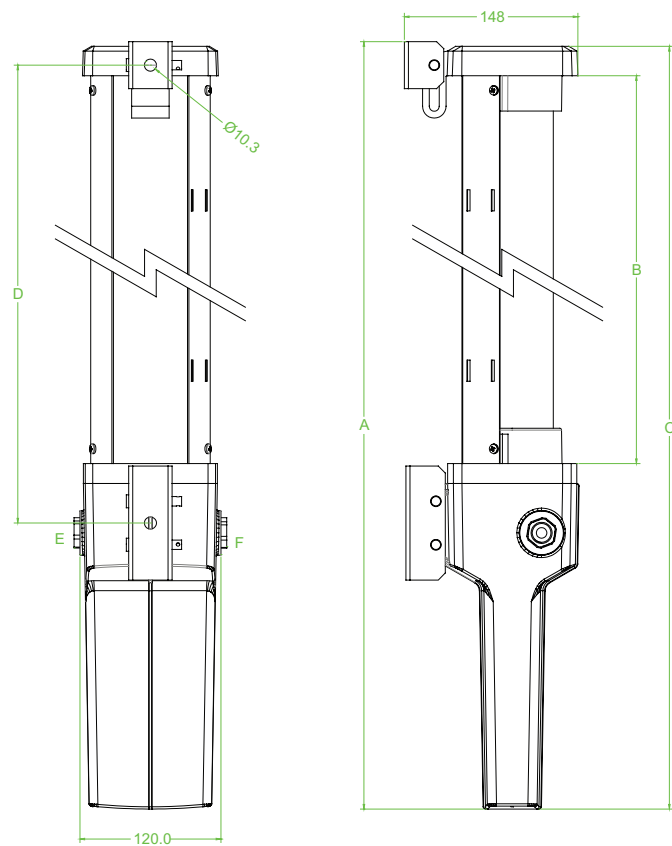


Features

- Power 8 W
- Installation in Zone 1, Zone 2, Zone 21 and Zone 22
- Ex d certified
- Multi voltage electronic ballast
- AC or DC
- Borosilicate glass overtube resistant to process chemicals
- Sturdy metallic housing

Dimensions (mm)



Technical data

Electrical specifications

Operating voltage	198 ... 254 V 50/60 Hz 154 ... 250 V DC
Operating current	0.07 A
Terminal capacity	2.5 mm ² Connection block suitable for through wiring
Control gear	high frequency electronic ballast complying with all European standards relating to safety, operation and EMC (Immunity)
Power factor	0.65
Fitting type	Ceiling light fitting
Lamps	T5 bi-pin fluorescent tube , not included with delivery
Number of lamps	1
Length	300 mm (1 ft)
Power	8 W
EMC in accordance with	EN55015:2000
Conformity	
Protection degree	EN 60529
Ambient conditions	
Ambient temperature	-20 ... 40 °C (-4 ... 104 °F) / T6 / T85°C -20 ... 55 °C (-4 ... 131 °F) / T5 / T100°C -20 ... 60 °C (-4 ... 140 °F) / T4 / T135°C
Mechanical specifications	
Cover fixing	M8 stainless steel socket cap head screws
Protection degree	IP67 according to EN 60529
Cable entry	metric threaded
Number of cable entries	1 x M20 at position E fitted with Ex d sealing plug 1 x M20 at position F fitted with Ex d sealing plug
Material	

Cast parts	Light metal alloy
Lamp cover	Borosilicate glass
Reflector	0.9 mm galvanised mild steel
Finish	cast parts: epoxy powder coated, RAL7032 reflector: epoxy powder coated, white
Seal	nitrile O-ring
Mass	approx. 2.5 kg
Dimensions	
A	653 mm
B	330 mm
C	649 mm
D	390 mm
Mounting	2 x stainless steel removable mounting brackets
Grounding	Internal connection
Data for application in connection with Ex-areas	
EC-Type Examination Certificate	SIRA 00 ATEX 1107X
Group, category, type of protection, temperature class	⊕ II 2 GD Ex d IIC T* Gb, Ex tb IIIC T** °C Db
International approvals	
IECEX approval	IECEX SIR 10.0077X
GOST-R approval	GOST-R B01007
General information	
Supplementary information	EC-Type Examination Certificate, Statement of Conformity, Declaration of Conformity, Attestation of Conformity and instructions have to be observed where applicable. For information see www.pepperl-fuchs.com .