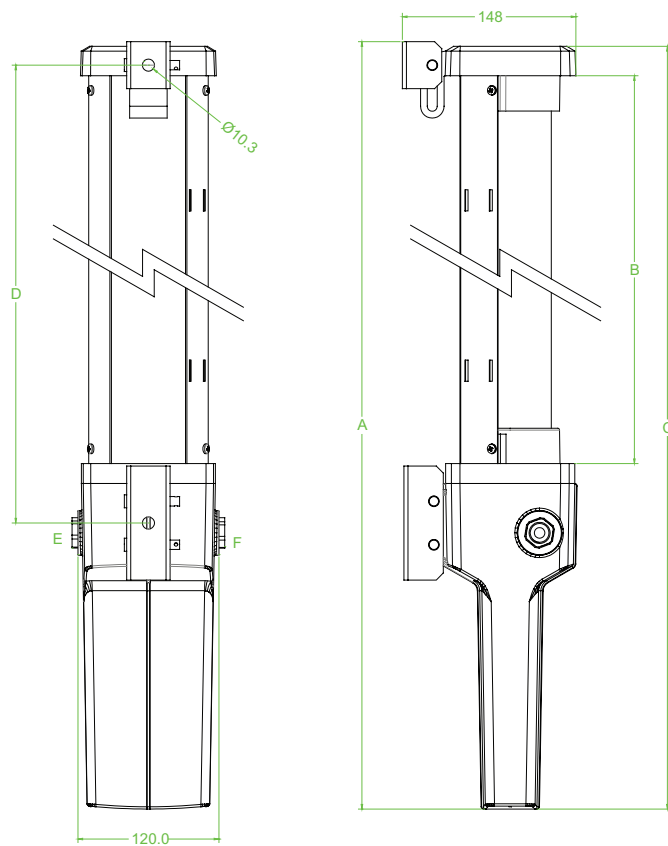




Features

- Power 2 x 58 W
- Installation in Zone 1, Zone 2, Zone 21 and Zone 22
- Ex d certified
- Multi voltage electronic ballast
- AC or DC
- Borosilicate glass overtube resistant to process chemicals
- Sturdy metallic housing

Dimensions (mm)



Technical data

Electrical specifications

| | |
|----------------------------------|--|
| Operating voltage | 198 ... 264 V 50/60 Hz 176 ... 280 V DC |
| Operating current | 0.45 A |
| Terminal capacity | 2.5 mm ² Connection block suitable for through wiring |
| Control gear | high frequency electronic ballast complying with all European standards relating to safety, operation and EMC (Immunity) |
| Power factor | 0.98 |
| Fitting type | Ceiling light fitting |
| Lamps | T8 bi-pin fluorescent tube , not included with delivery |
| Number of lamps | 2 |
| Length | 1500 mm (5 ft) |
| Power | 2x 58 W |
| EMC in accordance with | EN55015:2000 |
| Conformity | |
| Protection degree | EN 60529 |
| Ambient conditions | |
| Ambient temperature | -20 ... 40 °C (-4 ... 104 °F) / T6 / T85°C -20 ... 55 °C (-4 ... 131 °F) / T5 / T100°C -20 ... 60 °C (-4 ... 140 °F) / T4 / T135°C |
| Mechanical specifications | |
| Cover fixing | M8 stainless steel socket cap head screws |
| Protection degree | IP67 according to EN 60529 |
| Cable entry | metric threaded |
| Number of cable entries | 1 x M20 at position E fitted with Ex d sealing plug 1 x M20 at position F fitted with Ex d sealing plug |
| Material | |

| | |
|---|--|
| Cast parts | Light metal alloy |
| Lamp cover | Borosilicate glass |
| Reflector | 0.9 mm galvanised mild steel |
| Finish | cast parts: epoxy powder coated, RAL7032 reflector: epoxy powder coated, white |
| Seal | nitrile O-ring |
| Mass | approx. 8.3 kg |
| Dimensions | |
| A | 1820 mm |
| B | 1497 mm |
| C | 1816 mm |
| D | 1557 mm |
| Mounting | 2 x stainless steel removable mounting brackets |
| Grounding | Internal connection |
| Data for application in connection with Ex-areas | |
| EC-Type Examination Certificate | SIRA 00 ATEX 1107X |
| Group, category, type of protection, temperature class | ⊕ II 2 GD Ex d IIC T* Gb, Ex tb IIIC T** °C Db |
| International approvals | |
| IECEX approval | IECEX SIR 10.0077X |
| GOST-R approval | GOST-R B01007 |
| General information | |
| Supplementary information | EC-Type Examination Certificate, Statement of Conformity, Declaration of Conformity, Attestation of Conformity and instructions have to be observed where applicable. For information see www.pepperl-fuchs.com . |