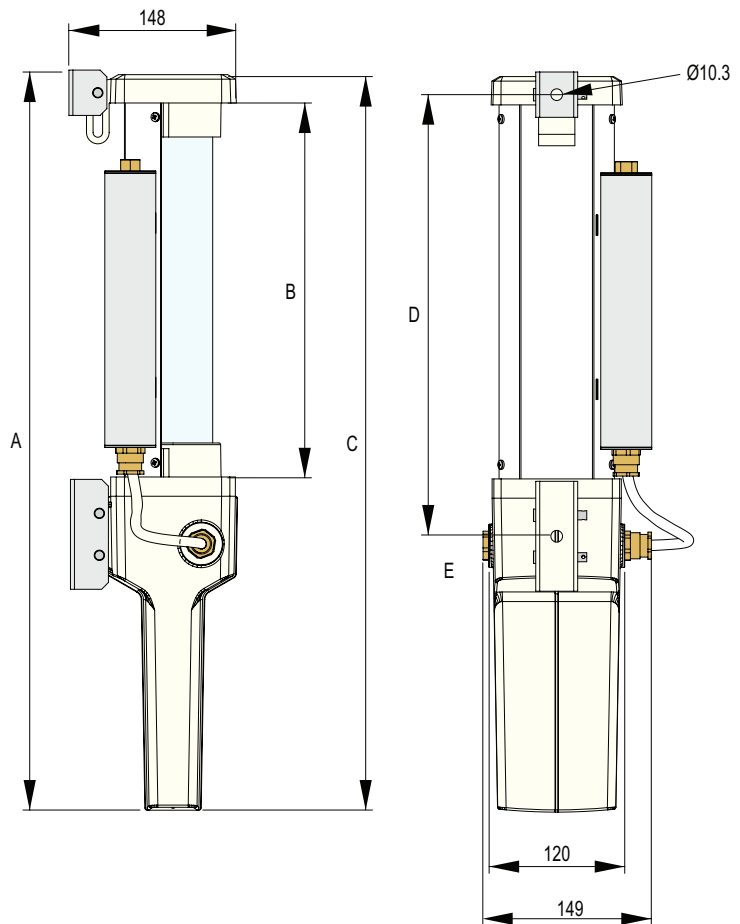




Features

- Power 2 x 36 W
- Installation in Zone 1, Zone 2, Zone 21 and Zone 22
- Ex de certified
- Multi voltage electronic ballast
- AC model
- Borosilicate glass overtube resistant to process chemicals
- Sturdy metallic housing

Dimensions (mm)



Technical data

Electrical specifications

| | |
|------------------------|--|
| Operating voltage | 207 ... 254 V 50/60 Hz |
| Operating current | 0.33 A |
| Terminal capacity | 2.5 mm ² |
| Control gear | high frequency electronic ballast complying with all European standards relating to safety, operation and EMC (Immunity) |
| Power factor | 0.98 |
| Fitting type | Ceiling light fitting |
| Lamps | T8 bi-pin fluorescent tube , not included with delivery |
| Number of lamps | 2 |
| Length | 1200 mm (4 ft) |
| Power | 2 x 36 W |
| EMC in accordance with | EN55015:2000 |
| Emergency operation | maintained or non-maintained |
| Operation time | 3 h |
| Recharge time | 24 h from fully discharged |
| Ballast lumen factor | 10 % |
| Battery protection | Protection against deep discharge and reverse battery polarity |

Conformity

Protection degree EN 60529

Ambient conditions

Ambient temperature -20 ... 40 °C (-4 ... 104 °F) / T6 / T85°C
-20 ... 50 °C (-4 ... 122 °F) / T5 / T100°C

Mechanical specifications

| | |
|-------------------------|---|
| Cover fixing | M8 stainless steel socket cap head screws |
| Protection degree | IP67 according to EN 60529 |
| Cable entry | metric threaded |
| Number of cable entries | 1 x M20 at position E fitted with Ex d sealing plug |

| | |
|---|--|
| Material | |
| Cast parts | Light metal alloy |
| Lamp cover | Borosilicate glass |
| Reflector | 0.9 mm galvanised mild steel |
| Finish | cast parts: epoxy powder coated, RAL7032 reflector: epoxy powder coated, white |
| Seal | nitrile O-ring |
| Mass | approx. 8.7 kg |
| Dimensions | |
| A | 1514 mm |
| B | 1191 mm |
| C | 1510 mm |
| D | 1251 mm |
| Mounting | 2 x stainless steel removable mounting brackets |
| Grounding | Internal connection |
| Data for application in connection with Ex-areas | |
| EC-Type Examination Certificate | SIRA 00 ATEX 1107X |
| Group, category, type of protection, temperature class | ⊕ II 2 GD Ex de IIB T* Gb, Ex tb IIIC T** °C Db |
| International approvals | |
| IECEX approval | IECEX SIR 10.0077X |
| GOST-R approval | GOST-R B01007 |
| General information | |
| Supplementary information | EC-Type Examination Certificate, Statement of Conformity, Declaration of Conformity, Attestation of Conformity and instructions have to be observed where applicable. For information see www.pepperl-fuchs.com . |