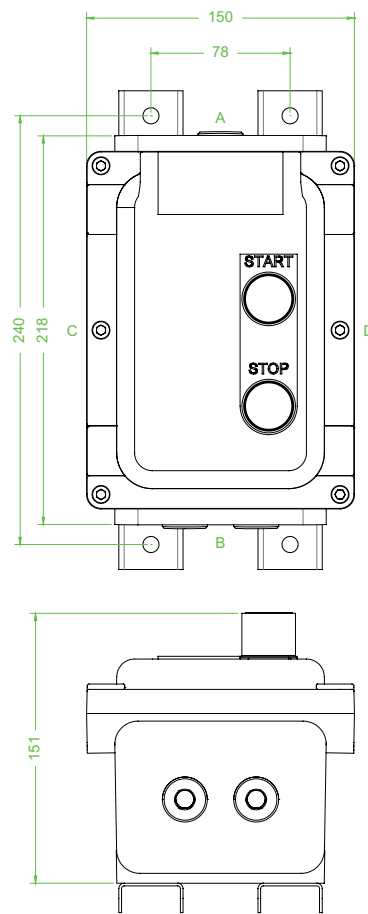




### Features

- Coil voltage 415V
- Cast Iron
- 218 mm x 150 mm x 151 mm
- Suitable for Ex e motors
- Installation in Zone 1, Zone 2, Zone 21 and Zone 22

### Dimensions (mm)



### Technical data

#### Electrical specifications

|                   |  |
|-------------------|--|
| Contactor rating  |  |
| Power             | 4 kW   |
| Current           | 9 A (AC3)  |
| Coil Voltage      | 415 V  |
| Terminal capacity | 2x 1-6mm <sup>2</sup> for solid cable<br>2x 1-4mm <sup>2</sup> for flexible cable with ferrule |
| Overload relay    | 6 ... 10 A   |
| Phases            | 3  |
| Function          | direct online starter  |

#### Mechanical specifications

|                         |  |
|-------------------------|--|
| Height                  | 218 mm   |
| Width                   | 150 mm   |
| Depth                   | 151 mm   |
| Cover fixing            | M6 stainless steel socket cap head screws  |
| Protection degree       | IP65   |
| Cable entry             | metric threaded  |
| Number of cable entries | 1 x M20 in face A<br>2 x M20 in face B<br>all entries are fitted with Ex d sealing plugs |

#### Material

|           |   |
|-----------|---|
| Enclosure | cast iron   |
| Finish    | painted black   |
| Seal      | by grease   |
| Mass      | approx. 11 kg   |
| Mounting  | 2 x fabricated stainless steel mounting straps                |
| Grounding | internal & external brass grounding terminals on base and lid |

#### Ambient conditions

|   |  |
|---|--|
| Ambient temperature                                     | -40 ... 55 °C (-40 ... 131 °F)   |
| <b>Data for application in connection with Ex-areas</b> |  |
| EC-Type Examination Certificate                         | SIRA 02 ATEX 1332  |
| Group, category, type of protection, temperature class  | ⊕ II 2 GD<br>Ex d IIB T6 Gb, Ex tb IIIC T85°C Db   |
| <b>International approvals</b>                          |  |
| IECEX approval  | IECEX SIR 08.0066X   |
| GOST-R approval   | GOST-R B01008  |
| <b>Conformity</b>                                       |  |
| Protection degree                                       | EN 60529   |
| <b>General information</b>                              |  |
| Supplementary information                               | EC-Type Examination Certificate, Statement of Conformity, Declaration of Conformity, Attestation of Conformity and instructions have to be observed where applicable. For information see <a href="http://www.pepperl-fuchs.com">www.pepperl-fuchs.com</a> . |

## Electrical Specification

