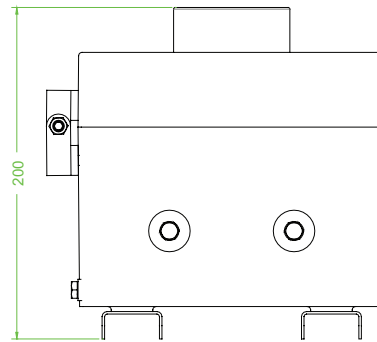
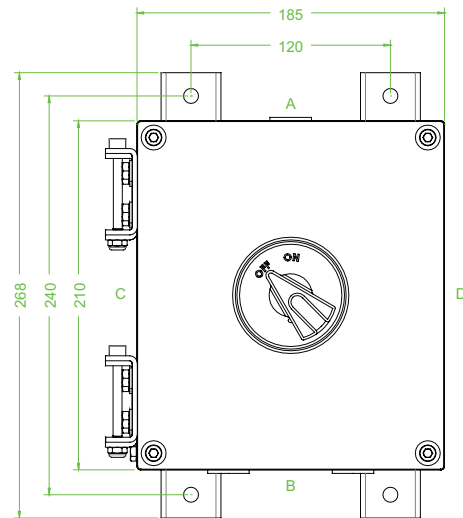




Features

- Cast Iron
- Installation in Zone 1, Zone 2, Zone 21 and Zone 22
- Threaded cable entries
- Padlockable switch

Dimensions (mm)



Technical data

Electrical specifications

Operating voltage	690 V
Operating current	32 A (AC21A)
Power	11 kW (AC23A) 7.5 kW (AC3)

Terminal capacity	6 mm ²
Function	switch disconnector
Number of poles	6
Auxiliary contacts	2 x n/o early break
Lockable	in 'OFF' position
Labeling	OFF - ON

Mechanical specifications

Height	210 mm NOM.
Width	185 mm NOM.
Depth	200 mm NOM.
Enclosure cover	hinged non-detachable
Cover fixing	M6 stainless steel socket cap head screws
Fastener grade	A2-70
Protection degree	IP66
Cable entry	metric threaded
Number of cable entries	1 x M20 in face A 2 x M20 in face B all entries are fitted with Ex d sealing plugs
Material	
Enclosure	cast iron
Finish	painted black
Seal	by grease
Mass	approx. 20 kg

Mounting	2 x fabricated stainless steel mounting straps
Grounding	internal & external brass grounding terminals on base and lid
Ambient conditions	
Ambient temperature	-20 ... 55 °C (-4 ... 131 °F)
Data for application in connection with Ex-areas	
EC-Type Examination Certificate	SIRA 03 ATEX 1215
Group, category, type of protection, temperature class	⊕ II 2 GD Ex d IIB T6 Gb, Ex tb IIIC T80°C (ta ... +40°C) Ex d IIB T5 Gb, Ex tb IIIC T95°C (ta ... +55°C)
International approvals	
IECEX approval	IECEX SIR 08.0055
GOST-R approval	GOST-R B00218
Conformity	
Protection degree	EN 60529
Switch	switch disconnecter to IEC 60947-3
General information	
Supplementary information	EC-Type Examination Certificate, Statement of Conformity, Declaration of Conformity, Attestation of Conformity and instructions have to be observed where applicable. For information see www.pepperl-fuchs.com .