



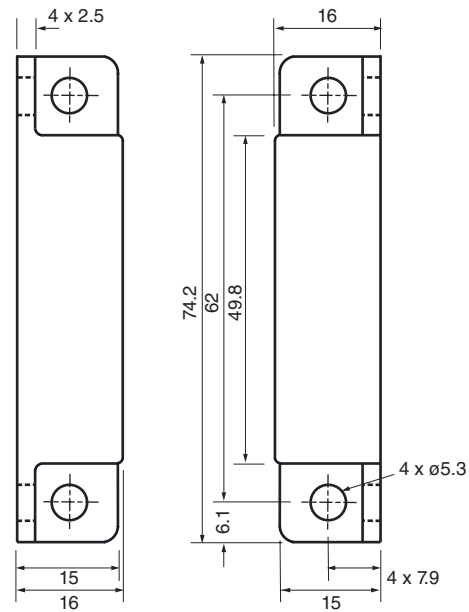
### Model Number

41FR2

### Features

- Magnet Actuator
- Compatible with 40FR1.. Series

### Dimensions



### Technical Data

#### Nominal ratings

Indication of the switching state NO

#### Ambient conditions

Ambient temperature -40 ... 125 °C (-40 ... 257 °F)

#### Mechanical specifications

Housing material	Polycarbonate
Sensing face	Polycarbonate
Protection degree	IP68
Note	ALNICO magnet