

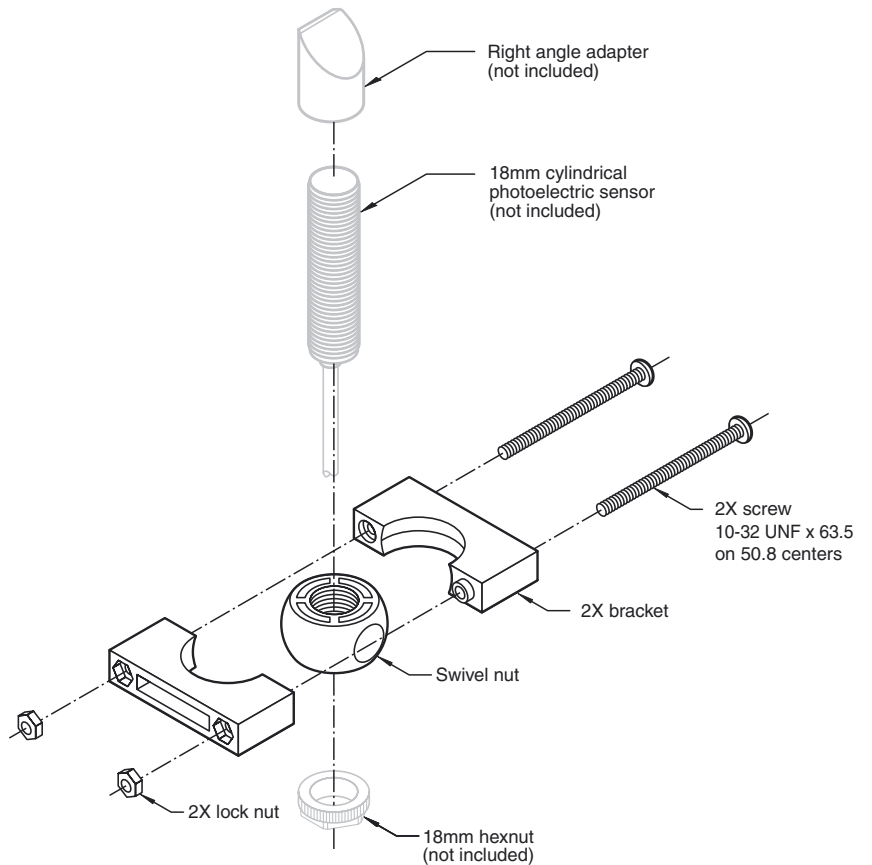
**Model Number**

**CPZ18B03**

Mounting Bracket with swivel nut

For Series CP18 Threaded Photoelectric Sensors

**Dimensions**



**Technical data**

**Mechanical specifications**

Material	plastic
Mass	approx. 85 g
Mounting	Mounting accessories included

**Suitable series**

Series	CP18
--------	------

Release date: 2012-03-27 16:31 Date of issue: 2012-03-27 453244\_eng.xml