



### Model Number

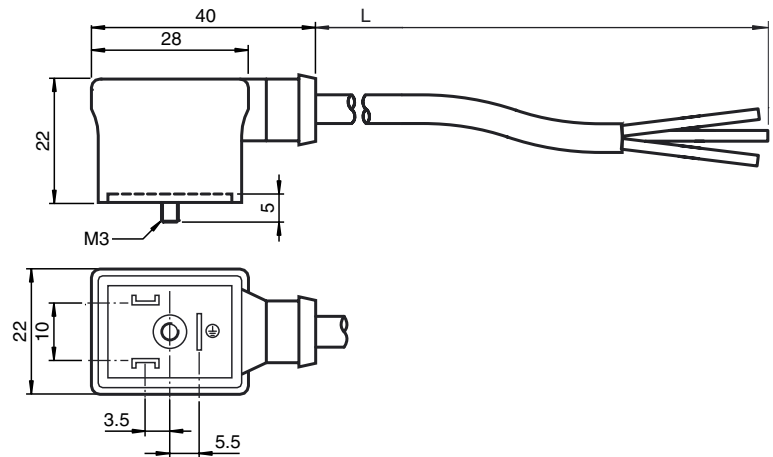
**VMB-2+P/Z2-10M-PUR**

Valve connector, shape B, 2+PE, Z-diode, PUR cable

### Features

- Valve connector according EN 175301-803 A/ISO 4400 (previously DIN 43650)
- Z diode as a protective circuit
- Built-in LED, as operating and function indicator
- Moulded seal
- Flame resistant cable
- Halogen-free

### Dimensions



### Technical data

#### General specifications

Number of pins	2 + PE
Connection 1	Valve connector DIN
Construction type 1	right angle
Connection 2	cable end

#### Indicators/operating means

LED yellow	Functional display
------------	--------------------

#### Electrical specifications

Operating voltage	$U_B$	24 V AC/DC
Operating current		max. 4 A
Volume resistance		< 5 m $\Omega$

#### Ambient conditions

Ambient temperature	cable, flexing: -20 ... 80 °C (-4 ... 176 °F) cable, fixed: -40 ... 80 °C (-40 ... 176 °F)
---------------------	---

Pollution Degree	3
------------------	---

#### Mechanical specifications

Degree of protection	IP65/IP67
Connection	Valve connector Form B
Material	
Contacts	CuSn
Contact surface	Sn
Body	TPU, black
Cable	PUR
Core insulation	PP
Cable	
Sheath diameter	$\varnothing$ 4.5 mm
Bending radius	> 50 mm &gt; 22.5 mm, fixed
Color	black
Cores	(2 + 1) x 0.5 mm <sup>2</sup> ; 20 AWG
Conductor construction	28 x 0.15 mm $\varnothing$
Length	L 10 m

### Electrical connection

