



### Model Number

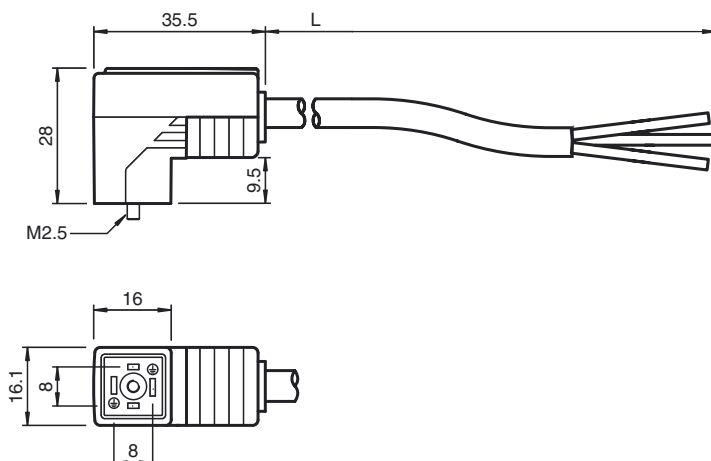
#### VMC-2+P/Z2-10M-PUR

Valve connector cordset, Form C, 2+PE, Z-diode, PUR cable

### Features

- Valve connector according EN 175301-803 A/ISO 4400 (previously DIN 43650)
- Z diode as a protective circuit
- Built-in LED, as operating and function indicator
- Moulded seal
- freely selectable cable models due to bridged protective earth
- Flame resistant cable
- Suitable for drag chains
- Halogen-free
- UL Recognized Component

### Dimensions



### Technical data

#### General specifications

Number of pins	2 + PE
Connection 1	Valve connector DIN
Construction type 1	right angle
Connection 2	cable end

#### Indicators/operating means

LED yellow	Operating display
------------	-------------------

#### Electrical specifications

Operating voltage	$U_B$	24 V AC/DC
Operating current		max. 4 A
Volume resistance		< 5 m $\Omega$

#### Ambient conditions

Ambient temperature	Body: -20 ... 85 °C (-4 ... 185 °F) cable, flexing: -20 ... 80 °C (-4 ... 176 °F) cable, fixed: -40 ... 80 °C (-40 ... 176 °F)
---------------------	--

Pollution Degree	3
------------------	---

#### Mechanical specifications

Protection degree	IP65/IP67
Connection	Valve connector Form C

#### Material

Contacts	CuSn
Contact surface	Sn
Body	TPU, black
Cable	PUR
Seal	TPU
Core insulation	PP

#### Cable

Sheath diameter	$\varnothing$ 4.5 mm
Bending radius	> 50 mm > 22.5 mm, fixed
Color	dark grey (RAL 7021)
Cores	(2 + 1) x 0.5 mm <sup>2</sup> ; 20 AWG
Conductor construction	28 x 0.15 mm $\varnothing$
Length	L 10 m

#### Drag chain suitability

Drag chain cycles	$\geq$ 15000000
Motion velocity	$\leq$ 5 m/s
Acceleration	$\leq$ 30 m/s <sup>2</sup>

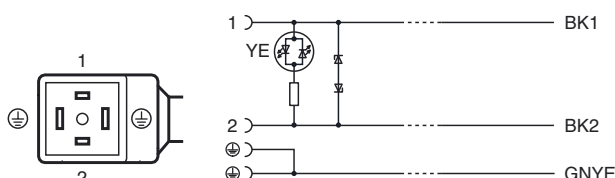
#### Flammability

Housing	94 V-0
---------	--------

#### Compliance with standards and directives

Standard conformity	
Flammability	UL 94

### Electrical connection





Halogen-free

DIN VDE 0472-815

**Approvals and certificates**

UL approval

cURus AWM 20549 (cable)

Release date: 2013-12-06 11:25 Date of issue: 2014-01-09 456854\_eng.xml