



### Model Number

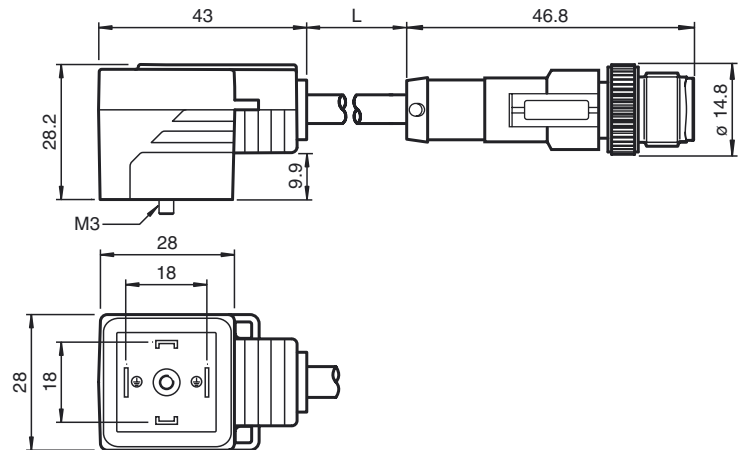
#### VMA-2+P-2M-PUR-V1-G

Valve connector cordset, Form A, 2+PE, PUR cable, M12 plug

### Features

- Valve connector according EN 175301-803 A/ISO 4400 (previously DIN 43650)
- Moulded seal
- Suitable for drag chains
- freely selectable cable models due to bridged protective earth
- Flame resistant cable
- Halogen-free

### Dimensions



### Technical data

#### General specifications

Number of pins	2 + PE
Connection 1	Valve connector DIN
Construction type 1	right angle
Connection 2	Male connector
Construction type 2	straight
Threading 2	M12

#### Electrical specifications

Operating voltage	$U_B$	250 V AC/DC
Operating current		max. 4 A
Volume resistance		< 10 m $\Omega$

#### Ambient conditions

Ambient temperature	Body: -25 ... 80 °C (-13 ... 176 °F) cable, flexing: -20 ... 80 °C (-4 ... 176 °F) cable, fixed: -40 ... 80 °C (-40 ... 176 °F)
Pollution Degree	3

#### Mechanical specifications

Degree of protection	IP65/IP67	
Connection	Valve connector Form A	
Material		
Contacts	CuSn	
Contact surface	Sn	
Body	Valve Connector Cordset TPU, black Body TPU, black	
Cable	PUR	
Core insulation	PP	
Cable		
Sheath diameter	$\varnothing$ 4.5 mm	
Bending radius	> 50 mm > 22.5 mm, fixed	
Color	dark grey (RAL 7021)	
Cores	(2 + 1) x 0.5 mm <sup>2</sup> ; 20 AWG	
Conductor construction	28 x 0.15 mm $\varnothing$	
Length	L	2 m
Drag chain suitability		
Drag chain cycles	$\geq$ 15000000	
Motion velocity	$\leq$ 5 m/s	
Traverse distance	0.9 m	
Acceleration	$\leq$ 30 m/s <sup>2</sup>	

### Electrical connection

