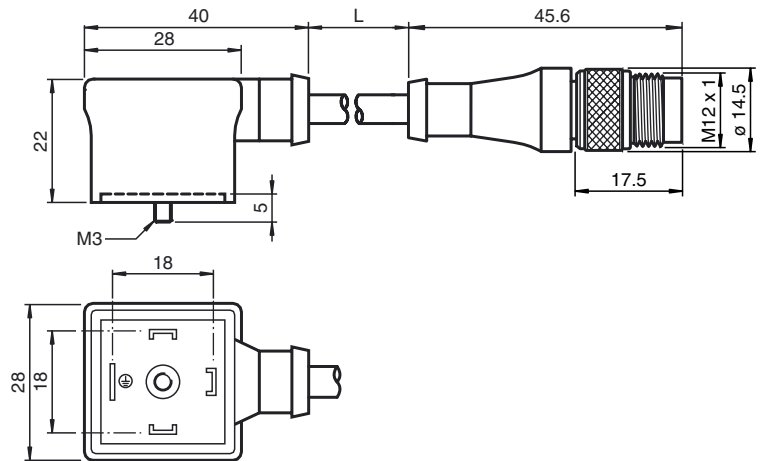




Dimensions



Model Number

VMA-3+P/L1-1M-PUR-V1-G

Valve connector, Form A, 3+PE, LED, PUR cable

Features

- Valve connector according EN 175301-803 A/ISO 4400 (previously DIN 43650)
- Moulded seal

Technical data

General specifications

Number of pins	3 + PE
Connection 1	Valve connector DIN
Construction type 1	right angle
Connection 2	Male connector
Construction type 2	straight
Threading 2	M12

Indicators/operating means

LED green/yellow	Operating display
------------------	-------------------

Electrical specifications

Operating voltage	U_B	24 V AC/DC
Operating current		max. 10 A
Volume resistance		< 10 m Ω

Ambient conditions

Ambient temperature	-40 ... 80 °C (-40 ... 176 °F) Cable: -25 ... 80 °C (-13 ... 176 °F)
---------------------	---

Mechanical specifications

Degree of protection	IP67
Connection	Valve connector Form A
Material	
Contacts	CuZn ; CuSn
Body	PUR
Cable	PUR
Core insulation	PVC
Cable	
Sheath diameter	\varnothing 5.7 mm
Bending radius	> 10 x cable diameter, moving
Color	black
Cores	(4 + 1) x 0.5 mm ²
Conductor construction	16 x 0.2 mm \varnothing
Length	L 1 m

Electrical connection

