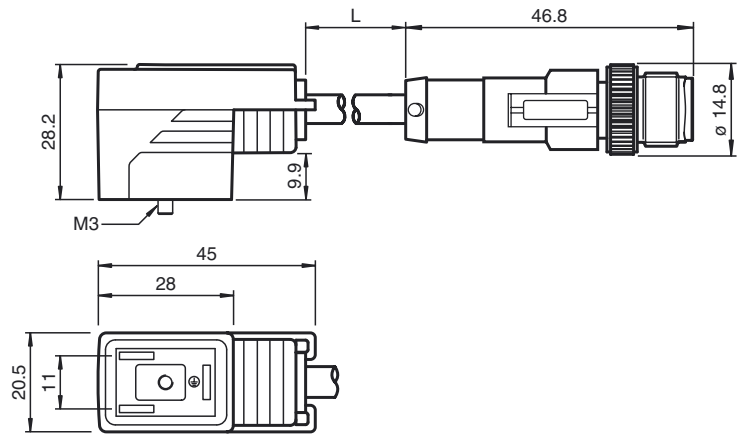




Dimensions



Model Number

VMBI-2+P/Z2-2M-PUR-V1-G

Valve connector, Form B (Ind), 2+PE, Z-diode, PUR cable to M12 round plug connector

Features

- Valve connector according EN 175301-803 A/ISO 4400 (previously DIN 43650)
- Z diode as a protective circuit
- Built-in LED, as operating and function indicator
- Moulded seal
- Flame resistant cable
- Halogen-free

Technical data

General specifications

Number of pins 2 + PE

Indicators/operating means

LED yellow Functional display

Electrical specifications

Operating voltage U_B 24 V AC/DC

Operating current I_B max. 4 A

Volume resistance < 5 mΩ

Ambient conditions

Ambient temperature Body: -20 ... 85 °C (-4 ... 185 °F)
cable, flexing: -20 ... 80 °C (-4 ... 176 °F)
cable, fixed: -40 ... 80 °C (-40 ... 176 °F)

Pollution Degree 3

Mechanical specifications

Degree of protection IP65/IP67

Connection Valve connector Form B (Ind)

Material

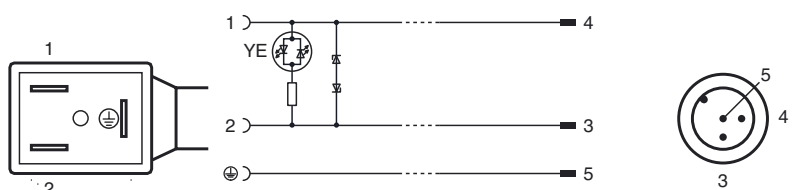
Contacts CuSn
Contact surface Sn
Body TPU, black
Cable PUR
Core insulation PP

Cable

Sheath diameter Ø 4.5 mm
Bending radius > 50 mm
> 22.5 mm, fixed

Color black
Cores (2 + 1) x 0.5 mm²; 20 AWG
Conductor construction 28 x 0.15 mm Ø
Length L 2 m

Electrical connection



Release date: 2015-01-20 21:31 Date of issue: 2015-01-20 456883_eng.xml

Refer to "General Notes Relating to Pepperl+Fuchs Product Information".

Pepperl+Fuchs Group
www.pepperl-fuchs.com

USA: +1 330 486 0001
fa-info@us.pepperl-fuchs.com

Germany: +49 621 776 4411
fa-info@de.pepperl-fuchs.com

Singapore: +65 6779 9091
fa-info@sg.pepperl-fuchs.com