



Model Number

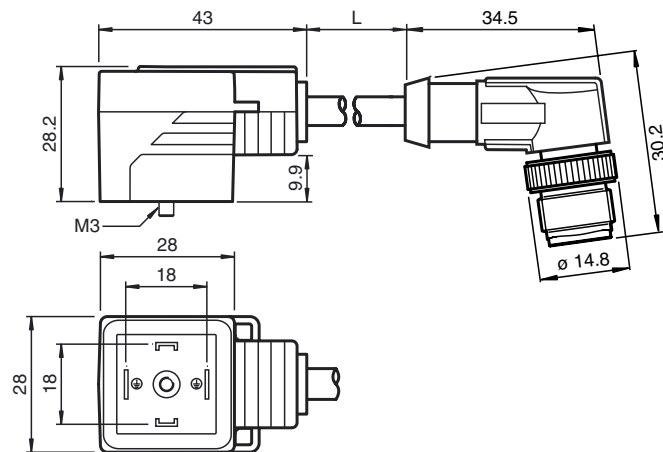
VMA-2+P/Z2-1M-PUR-V1-W

Valve connector, Form A, 2+PE, Z diode, PUR cable to M12 round connector

Features

- Valve connector according EN 175301-803 A/ISO 4400 (previously DIN 43650)
- Z diode as a protective circuit
- Suitable for drag chains
- Built-in LED, as operating and function indicator
- Moulded seal
- freely selectable cable models due to bridged protective earth
- Flame resistant cable
- Halogen-free

Dimensions



Technical data

General specifications

Number of pins 2 + PE

Indicators/operating means

LED yellow Functional display

Electrical specifications

Operating voltage U_B 24 V AC/DC

Operating current I_B max. 4 A

Volume resistance $< 5 \text{ m}\Omega$

Ambient conditions

Ambient temperature Body: $-20 \dots 85 \text{ }^\circ\text{C}$ ($-4 \dots 185 \text{ }^\circ\text{F}$)
cable, flexing: $-20 \dots 80 \text{ }^\circ\text{C}$ ($-4 \dots 176 \text{ }^\circ\text{F}$)
cable, fixed: $-40 \dots 80 \text{ }^\circ\text{C}$ ($-40 \dots 176 \text{ }^\circ\text{F}$)

Pollution Degree 3

Mechanical specifications

Degree of protection IP65/IP67

Connection Valve connector Form A

Material

Contacts CuSn

Contact surface Sn

Body TPU, black

Cable PUR

Core insulation PP

Cable

Sheath diameter $\text{Ø } 4.5 \text{ mm}$

Bending radius $> 50 \text{ mm}$
> 22.5 mm, fixed

Color black

Cores $(2 + 1) \times 0.5 \text{ mm}^2$; 20 AWG

Conductor construction $28 \times 0.15 \text{ mm Ø}$

Length L 1 m

Drag chain suitability

Drag chain cycles ≥ 15000000

Motion velocity $\leq 5 \text{ m/s}$

Traverse distance 0.9 m

Acceleration $\leq 30 \text{ m/s}^2$

Electrical connection

