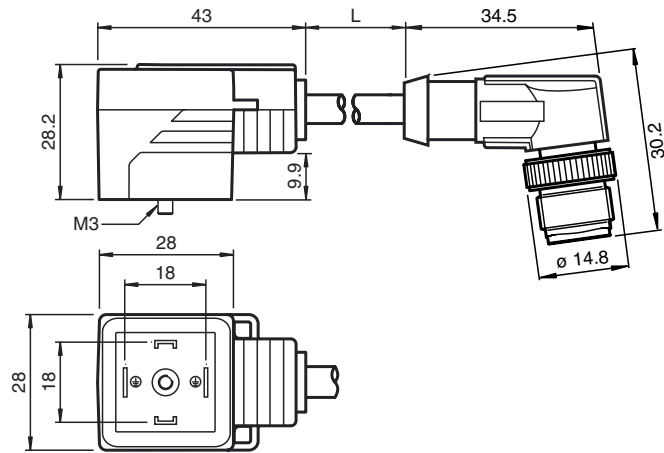




**Dimensions**



**Model Number**

**VMA-2+P/Z2-2M-PUR-V1-W**

Valve connector, Form A, 2+PE, Z diode, PUR cable to M12 round connector

**Features**

- Valve connector according EN 175301-803 A/ISO 4400 (previously DIN 43650)
- Z diode as a protective circuit
- Suitable for drag chains
- Built-in LED, as operating and function indicator
- Moulded seal
- freely selectable cable models due to bridged protective earth
- Flame resistant cable
- Halogen-free

**Technical data**

**General specifications**

Number of pins 2 + PE

**Indicators/operating means**

LED yellow Functional display

**Electrical specifications**

Operating voltage  $U_B$  24 V AC/DC

Operating current  $I_B$  max. 4 A

Volume resistance  $< 5 \text{ m}\Omega$

**Ambient conditions**

Ambient temperature Body: -20 ... 85 °C (-4 ... 185 °F)  
cable, flexing: -20 ... 80 °C (-4 ... 176 °F)  
cable, fixed: -40 ... 80 °C (-40 ... 176 °F)

Pollution Degree 3

**Mechanical specifications**

Degree of protection IP65/IP67

Connection Valve connector Form A

**Material**

Contacts CuSn  
Contact surface Sn  
Body TPU, black  
Cable PUR  
Core insulation PP

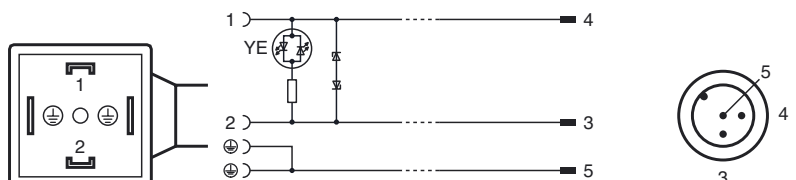
**Cable**

Sheath diameter  $\varnothing 4.5 \text{ mm}$   
Bending radius  $> 50 \text{ mm}$   
&gt; 22.5 mm, fixed  
Color black  
Cores  $(2 + 1) \times 0.5 \text{ mm}^2$ ; 20 AWG  
Conductor construction 28 x 0.15 mm  $\varnothing$   
Length L 2 m

**Drag chain suitability**

Drag chain cycles  $\geq 15000000$   
Motion velocity  $\leq 5 \text{ m/s}$   
Traverse distance 0.9 m  
Acceleration  $\leq 30 \text{ m/s}^2$

**Electrical connection**



Release date: 2014-12-11 17:04 Date of issue: 2014-12-11 456901\_eng.xml

Refer to "General Notes Relating to Pepperl+Fuchs Product Information".

Pepperl+Fuchs Group  
www.pepperl-fuchs.com

USA: +1 330 486 0001  
fa-info@us.pepperl-fuchs.com

Germany: +49 621 776 4411  
fa-info@de.pepperl-fuchs.com

Singapore: +65 6779 9091  
fa-info@sg.pepperl-fuchs.com