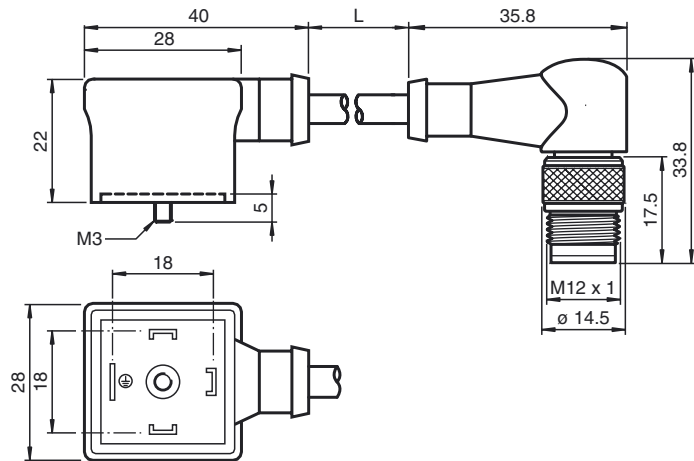




Dimensions



Model Number

VMA-3+P/L1-0,6M-PUR-V1-W

Valve connector, Form A, 3+PE, LED, PUR cable

Features

- Valve connector according EN 175301-803 A/ISO 4400 (previously DIN 43650)
- Moulded seal

Technical data

General specifications

Number of pins	3 + PE
Connection 1	Valve connector DIN
Construction type 1	right angle
Connection 2	Male connector
Construction type 2	right angle
Threading 2	M12

Indicators/operating means

LED green/yellow	Operating display
------------------	-------------------

Electrical specifications

Operating voltage	U _B	24 V AC/DC
Operating current		max. 10 A
Volume resistance		< 10 mΩ

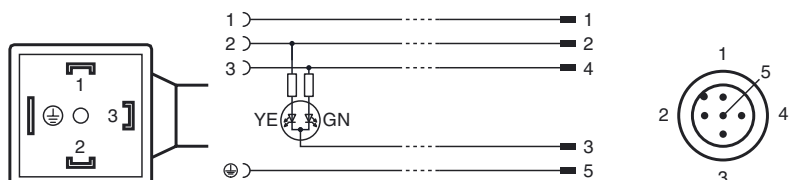
Ambient conditions

Ambient temperature	-40 ... 80 °C (-40 ... 176 °F) Cable: -25 ... 80 °C (-13 ... 176 °F)
---------------------	---

Mechanical specifications

Degree of protection	IP67
Connection	Valve connector Form A
Material	
Contacts	CuZn ; CuSn
Body	PUR
Cable	PUR
Core insulation	PVC
Cable	
Sheath diameter	Ø 5.7 mm
Bending radius	> 10 x cable diameter, moving
Color	black
Cores	(4 + 1) x 0.5 mm ²
Conductor construction	16 x 0.2 mm Ø
Length	L 0.6 m

Electrical connection



Release date: 2014-03-25 14:04 Date of issue: 2014-03-25 456905_eng.xml

Refer to "General Notes Relating to Pepperl+Fuchs Product Information".

Pepperl+Fuchs Group
www.pepperl-fuchs.com

USA: +1 330 486 0001
fa-info@us.pepperl-fuchs.com

Germany: +49 621 776 4411
fa-info@de.pepperl-fuchs.com

Singapore: +65 6779 9091
fa-info@sg.pepperl-fuchs.com