



### Model Number

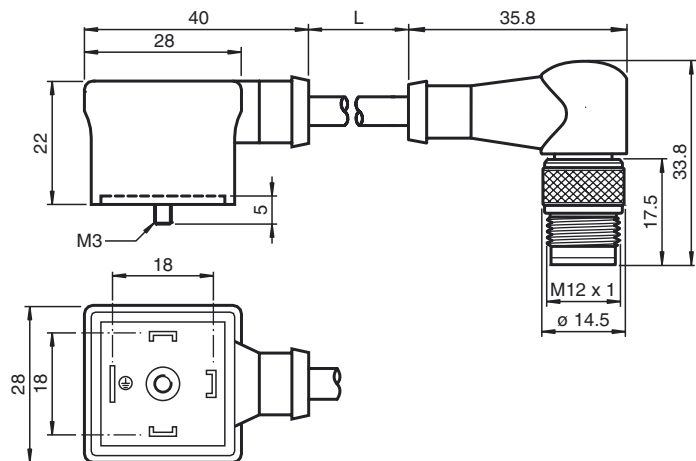
**VMA-3+P/L1-2M-PUR-V1-W**

Valve connector, Form A, 3+PE, LED, PUR cable

### Features

- Valve connector according EN 175301-803 A/ISO 4400 (previously DIN 43650)
- Moulded seal

### Dimensions



### Technical data

#### General specifications

|                     |                     |
|---------------------|---------------------|
| Number of pins      | 3 + PE              |
| Connection 1        | Valve connector DIN |
| Construction type 1 | right angle         |
| Connection 2        | Male connector      |
| Construction type 2 | right angle         |
| Threading 2         | M12                 |

#### Indicators/operating means

|                  |                   |
|------------------|-------------------|
| LED green/yellow | Operating display |
|------------------|-------------------|

#### Electrical specifications

|                   |       |                 |
|-------------------|-------|-----------------|
| Operating voltage | $U_B$ | 24 V AC/DC      |
| Operating current |       | max. 10 A       |
| Volume resistance |       | < 10 m $\Omega$ |

#### Ambient conditions

|                     |                                |
|---------------------|--------------------------------|
| Ambient temperature | -40 ... 80 °C (-40 ... 176 °F) |
| Cable:              | -25 ... 80 °C (-13 ... 176 °F) |

#### Mechanical specifications

|                        |                               |
|------------------------|-------------------------------|
| Degree of protection   | IP67                          |
| Connection             | Valve connector Form A        |
| Material               |                               |
| Contacts               | CuZn ; CuSn                   |
| Body                   | PUR                           |
| Cable                  | PUR                           |
| Core insulation        | PVC                           |
| Cable                  |                               |
| Sheath diameter        | Ø 5.7 mm                      |
| Bending radius         | > 10 x cable diameter, moving |
| Color                  | black                         |
| Cores                  | (4 + 1) x 0.5 mm <sup>2</sup> |
| Conductor construction | 16 x 0.2 mm Ø                 |
| Length                 | L 2 m                         |

### Electrical connection

