



### Model Number

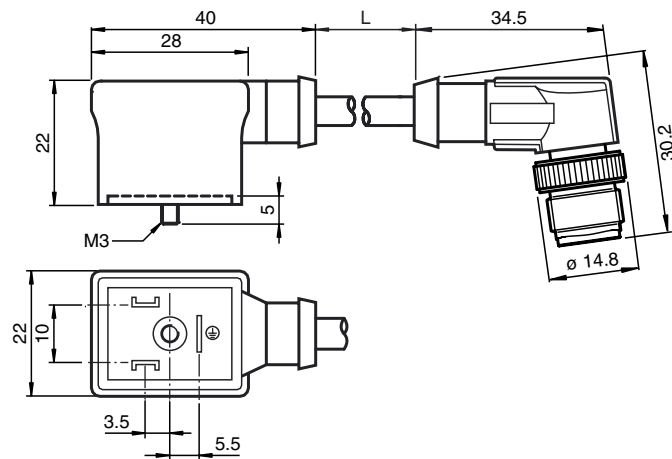
#### VMB-2+P-1M-PUR-V1-W

Valve connector, Form B, 2+PE, PUR cable to M12 round plug connector

### Features

- Valve connector according EN 175301-803 A/ISO 4400 (previously DIN 43650)
- Moulded seal
- Flame resistant cable
- Halogen-free

### Dimensions



### Technical data

#### General specifications

Number of pins	2 + PE
Connection 1	Valve connector DIN
Construction type 1	right angle
Connection 2	Male connector
Construction type 2	right angle
Threading 2	M12

#### Electrical specifications

Operating voltage	$U_B$	250 V AC/DC
Operating current		max. 10 A
Volume resistance		< 10 m $\Omega$

#### Ambient conditions

Ambient temperature	Body: -25 ... 80 °C (-13 ... 176 °F) cable, flexing: -20 ... 80 °C (-4 ... 176 °F) cable, fixed: -40 ... 80 °C (-40 ... 176 °F)
Pollution Degree	3

#### Mechanical specifications

Degree of protection	IP65/IP67
Connection	Valve connector Form B
Material	
Contacts	CuSn
Contact surface	Sn
Body	TPU, black
Cable	PUR
Core insulation	PP
Cable	
Sheath diameter	$\varnothing$ 4.5 mm
Bending radius	> 50 mm > 22.5 mm, fixed
Color	black
Cores	(2 + 1) x 0.5 mm <sup>2</sup> ; 20 AWG
Conductor construction	28 x 0.15 mm $\varnothing$
Length	L 1 m

### Electrical connection

