



Model Number

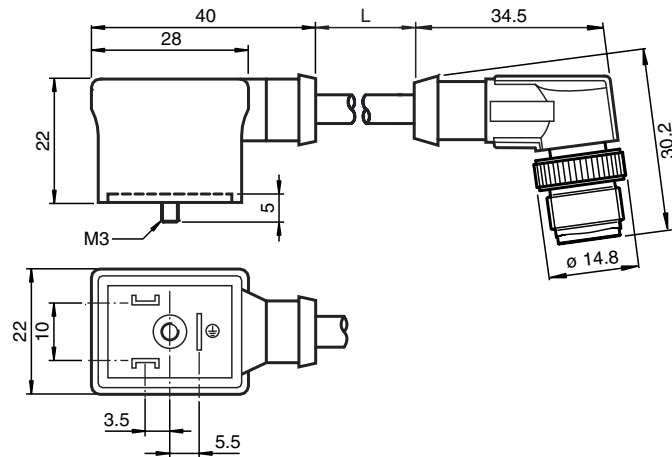
VMB-2+P-2M-PUR-V1-W

Valve connector, Form B, 2+PE, PUR cable to M12 round plug connector

Features

- Valve connector according EN 175301-803 A/ISO 4400 (previously DIN 43650)
- Moulded seal
- Flame resistant cable
- Halogen-free

Dimensions



Technical data

General specifications

Number of pins	2 + PE
Connection 1	Valve connector DIN
Construction type 1	right angle
Connection 2	Male connector
Construction type 2	right angle
Threading 2	M12

Electrical specifications

Operating voltage	U_B	250 V AC/DC
Operating current		max. 10 A
Volume resistance		< 10 m Ω

Ambient conditions

Ambient temperature	Body: -25 ... 80 °C (-13 ... 176 °F) cable, flexing: -20 ... 80 °C (-4 ... 176 °F) cable, fixed: -40 ... 80 °C (-40 ... 176 °F)
Pollution Degree	3

Mechanical specifications

Degree of protection	IP65/IP67	
Connection	Valve connector Form B	
Material		
Contacts	CuSn	
Contact surface	Sn	
Body	TPU, black	
Cable	PUR	
Core insulation	PP	
Cable		
Sheath diameter	\varnothing 4.5 mm	
Bending radius	> 50 mm > 22.5 mm, fixed	
Color	black	
Cores	(2 + 1) x 0.5 mm ² ; 20 AWG	
Conductor construction	28 x 0.15 mm \varnothing	
Length	L	2 m

Electrical connection

