



### Model Number

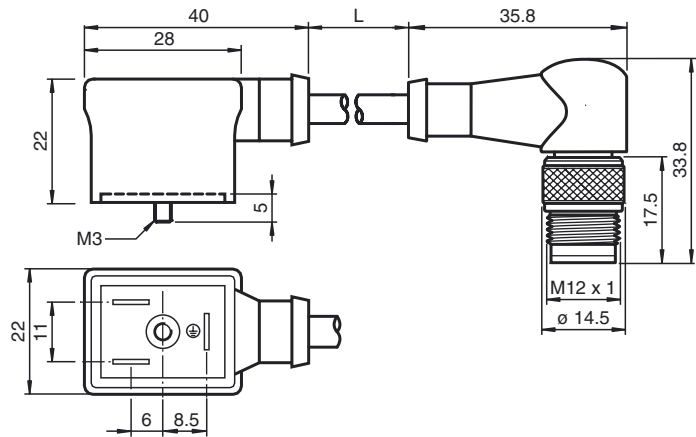
**VMBI-2+P-0,6M-PUR-V1-W**

Valve connector, Form B (Ind), 2+PE,  
PUR cable

### Features

- Moulded seal

### Dimensions



### Technical data

#### General specifications

Number of pins	2 + PE
Connection 1	Valve connector industrial version
Construction type 1	right angle
Connection 2	Male connector
Construction type 2	right angle
Threading 2	M12

#### Electrical specifications

Operating voltage	$U_B$	250 V AC/DC
Test voltage		2000 V
Operating current		max. 7 A at 40 °C
Volume resistance		< 10 mΩ

#### Ambient conditions

Ambient temperature	-40 ... 80 °C (-40 ... 176 °F) Cable: -25 ... 80 °C (-13 ... 176 °F)
Pollution Degree	3

#### Mechanical specifications

Degree of protection	IP67
Connection	Valve connector Form B (Ind)
Material	
Contacts	CuZn ; CuSn
Body	PUR
Cable	PUR
Core insulation	PVC
Cable	
Sheath diameter	Ø 5.7 mm
Bending radius	> 10 x cable diameter, moving
Color	black
Cores	(2 + 1) x 0.5 mm <sup>2</sup>
Conductor construction	16 x 0.2 mm Ø
Length	L 0.6 m

### Electrical connection

