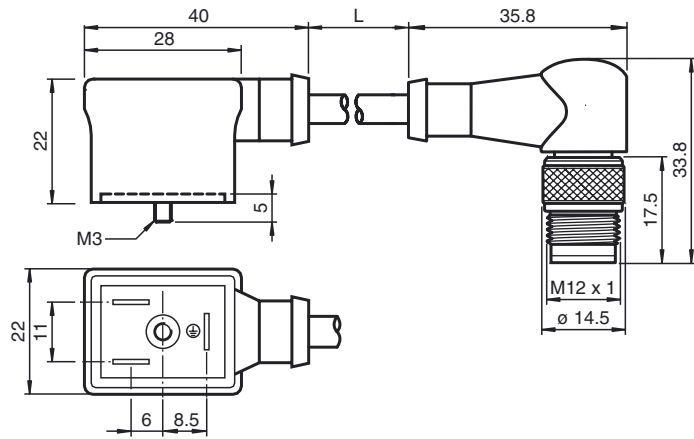




Dimensions



Model Number

VMBI-2+P-1M-PUR-V1-W

Valve connector, Form B (Ind), 2+PE, PUR cable

Features

- Moulded seal

Technical data

General specifications

Number of pins	2 + PE
Connection 1	Valve connector industrial version
Construction type 1	right angle
Connection 2	Male connector
Construction type 2	right angle
Threading 2	M12

Electrical specifications

Operating voltage	U_B	250 V AC/DC
Test voltage		2000 V
Operating current		max. 7 A at 40 °C
Volume resistance		< 10 mΩ

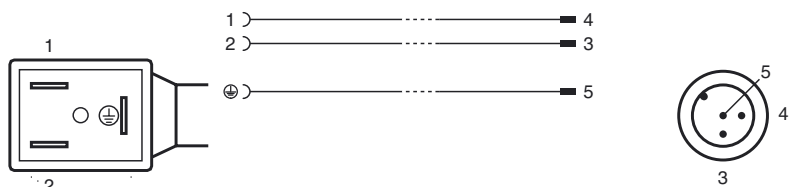
Ambient conditions

Ambient temperature	-40 ... 80 °C (-40 ... 176 °F) Cable: -25 ... 80 °C (-13 ... 176 °F)
Pollution Degree	3

Mechanical specifications

Degree of protection	IP67
Connection	Valve connector Form B (Ind)
Material	
Contacts	CuZn ; CuSn
Body	PUR
Cable	PUR
Core insulation	PVC
Cable	
Sheath diameter	Ø 5.7 mm
Bending radius	> 10 x cable diameter, moving
Color	black
Cores	(2 + 1) x 0.5 mm ²
Conductor construction	16 x 0.2 mm Ø
Length	L 1 m

Electrical connection



Release date: 2014-03-25 14:04 Date of issue: 2014-03-25 456915_eng.xml

Refer to "General Notes Relating to Pepperl+Fuchs Product Information".

Pepperl+Fuchs Group
www.pepperl-fuchs.com

USA: +1 330 486 0001
fa-info@us.pepperl-fuchs.com

Germany: +49 621 776 4411
fa-info@de.pepperl-fuchs.com

Singapore: +65 6779 9091
fa-info@sg.pepperl-fuchs.com