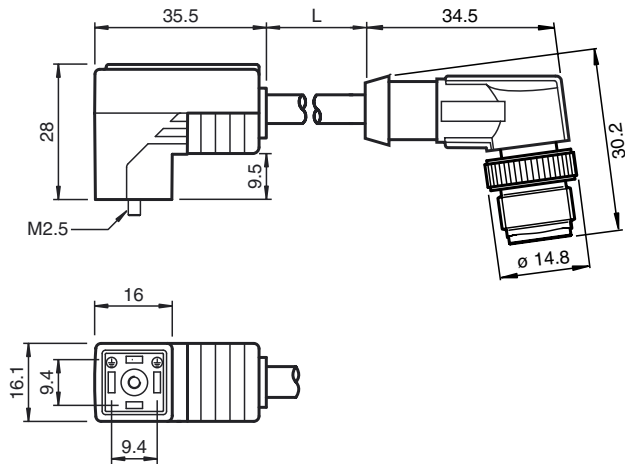




Dimensions



Model Number

VMCI-2+P/Z2-2M-PUR-V1-W

Valve connector, Form C (Ind) on M12, 2+PE, LED, Z diode, PUR cable

Features

- Z diode as a protective circuit
- Built-in LED, as operating and function indicator
- Moulded seal
- freely selectable cable models due to bridged protective earth
- Flame resistant cable
- Halogen-free

Technical data

General specifications

Number of pins	2 + PE
Connection 1	Valve connector industrial version
Construction type 1	right angle
Connection 2	Male connector
Construction type 2	right angle
Threading 2	M12

Indicators/operating means

LED yellow	Functional display
------------	--------------------

Electrical specifications

Operating voltage	U_B	24 V AC/DC
Test voltage		2000 V
Operating current		max. 4 A
Volume resistance		< 5 mΩ

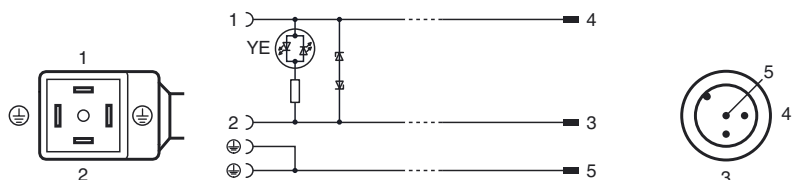
Ambient conditions

Ambient temperature	Body: -20 ... 85 °C (-4 ... 185 °F) cable, flexing: -20 ... 80 °C (-4 ... 176 °F) cable, fixed: -40 ... 80 °C (-40 ... 176 °F)
Pollution Degree	3

Mechanical specifications

Protection degree	IP65/IP67
Connection	Valve connector Form C (Ind)
Material	
Contacts	CuSn
Contact surface	Sn; Ni/Au
Body	TPU, black
Cable	PUR
Seal	TPU
Core insulation	PP
Cable	
Sheath diameter	Ø 4.5 mm
Bending radius	> 50 mm > 22.5 mm, fixed
Color	dark grey (RAL 7021)
Cores	(2 + 1) x 0.5 mm ² ; 20 AWG
Conductor construction	28 x 0.15 mm Ø
Length	L 2 m

Electrical connection



Release date: 2013-07-16 16:30 Date of issue: 2013-08-13 456931_eng.xml