

**Features**

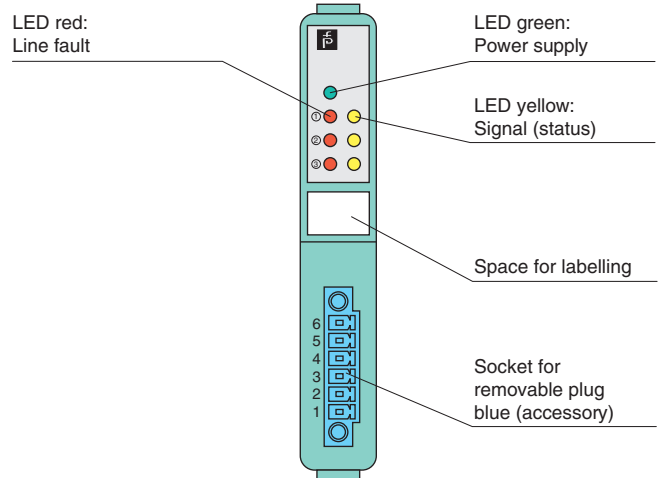
- 3-channel
- Inputs Ex ia
- Dry contact or NAMUR inputs
- Installation in Zone 2, Zone 22, Div. 2, or safe area
- Positive or negative logic selectable
- Simulation mode for service operations (forcing)
- Line fault detection (LFD)
- Permanently self-monitoring
- Module can be exchanged under voltage

**Function**

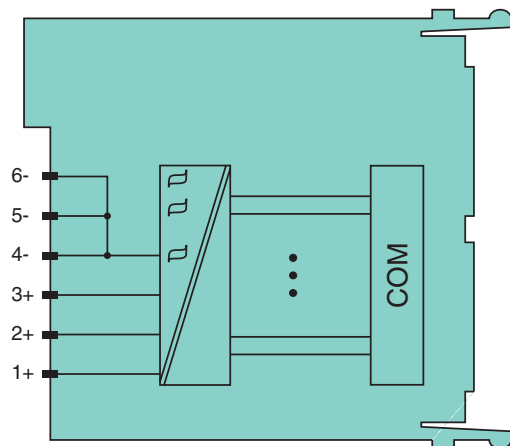
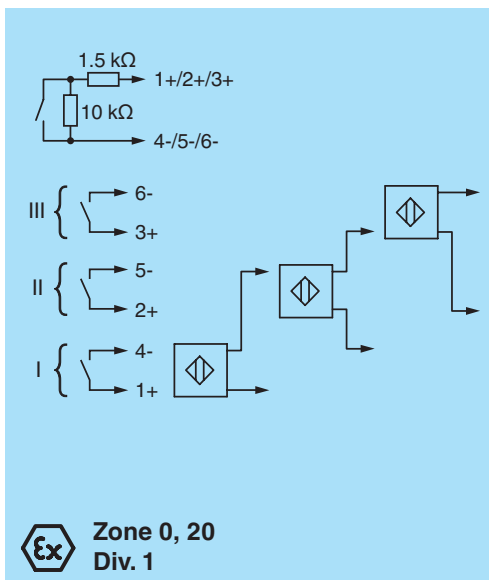
The device accepts up to 3 digital input signals of NAMUR sensors or mechanical contacts from the hazardous area.  
 Open or short circuit line fault alarms are detected.  
 The inputs are galvanically isolated from the bus and the power supply (EN 60079-11).

**Assembly**

Front view



**Connection**



Zone 2 Div. 2

Release date 2015-01-30 12:27 Date of issue 2015-01-30 541934\_eng.xml

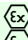
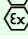
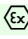
Refer to "General Notes Relating to Pepperl+Fuchs Product Information".

Pepperl+Fuchs Group  
 www.pepperl-fuchs.com

USA: +1 330 486 0002  
 pa-info@us.pepperl-fuchs.com

Germany: +49 621 776 2222  
 pa-info@de.pepperl-fuchs.com

Singapore: +65 6779 9091  
 pa-info@sg.pepperl-fuchs.com

<b>Supply</b>		
Connection		backplane bus
Rated voltage	$U_n$	12 V DC , only in connection with the power supplies LB9***
Power consumption		0.5 W
<b>Internal bus</b>		
Connection		backplane bus
Interface		manufacturer-specific bus to standard com unit
<b>Input</b>		
Number of channels		3
Suitable sensors		mechanical contacts, NAMUR proximity switches, 2-wire initiators
Connection		channel I: 1+, 4-; channel II: 2+, 5-; channel III: 3+, 6-
Rated values		acc. to EN 60947-5-6 (NAMUR)
Switching point/switching hysteresis		1.2 ... 2.1 mA / $\pm$ 0.2 mA
Voltage		8.2 V
Internal resistor		1 k $\Omega$
Line fault detection		can be switched on/off for each channel via configuration tool
Connection		mechanical switch with additional resistors (see connection diagram) , proximity switches without additional wiring
Short-circuit		< 360 $\Omega$
Open-circuit		< 0.35 mA
Minimum pulse duration		20 ms
<b>Indicators/settings</b>		
LED indicator		LED green: supply LED red: line fault, per channel LED yellow: signal (status), per channel
Coding		optional mechanical coding via front socket
<b>Directive conformity</b>		
Electromagnetic compatibility		
Directive 2004/108/EC		EN 61326-1
<b>Conformity</b>		
Electromagnetic compatibility		NE 21
Degree of protection		IEC 60529
Environmental test		EN 60068-2-14
Shock resistance		EN 60068-2-27
Vibration resistance		EN 60068-2-6
Damaging gas		EN 60068-2-42
Relative humidity		EN 60068-2-56
<b>Ambient conditions</b>		
Ambient temperature		-20 ... 60 °C (-4 ... 140 °F)
Storage temperature		-25 ... 85 °C (-13 ... 185 °F)
Relative humidity		95 % non-condensing
Shock resistance		shock type I, shock duration 11 ms, shock amplitude 50 m/s <sup>2</sup> , number of shock directions 6, number of shocks per direction 100
Vibration resistance		frequency range 5 ... 500 Hz, amplitude 5 ... 13.2 Hz $\pm$ 1.5 mm, 13.2 ... 100 Hz 1g, sweep rate 1 octave/min, duration 10 sweeps 5 Hz - 100 Hz - 5 Hz
Damaging gas		for plugs: 21 days in 25 ppm SO <sub>2</sub> , at 25 °C and 75 % rel. humidity, device G3
<b>Mechanical specifications</b>		
Degree of protection		IP20 when mounted on backplane
Connection		removable front connector with screw flange (accessory) wiring connection via spring terminals (0.14 ... 1.5 mm <sup>2</sup> ) or screw terminals (0.08 ... 1.5 mm <sup>2</sup> )
Mass		approx. 90 g
Dimensions		16 x 100 x 103 mm (0.63 x 3.9 x 4 in)
<b>Data for application in connection with Ex-areas</b>		
EC-Type Examination Certificate		PTB 03 ATEX 2042 , for additional certificates see <a href="http://www.pepperl-fuchs.com">www.pepperl-fuchs.com</a>
Group, category, type of protection		 II (1) G [Ex ia] IIC  II (1) D [Ex ia] IIIC
Input		
Voltage	$U_o$	10.5 V
Current	$I_o$	35 mA
Power	$P_o$	92 mW
Statement of conformity		PF 08 CERT 1234 X
Group, category, type of protection		 II 3 G Ex nA IIC T4 Gc
Electrical isolation		
Input/power supply, internal bus		safe electrical isolation acc. to EN 60079-11, voltage peak value 375 V
Directive conformity		

Release date 2015-01-30 12:27 Date of issue 2015-01-30 541984\_eng.xml

Refer to "General Notes Relating to Pepperl+Fuchs Product Information".

Pepperl+Fuchs Group  
www.pepperl-fuchs.com

USA: +1 330 486 0002  
pa-info@us.pepperl-fuchs.com

Germany: +49 621 776 2222  
pa-info@de.pepperl-fuchs.com

Singapore: +65 6779 9091  
pa-info@sg.pepperl-fuchs.com

Directive 94/9/EC	EN 60079-0:2009 EN 60079-11:2007 EN 60079-15:2010 EN 61241-11:2006
<b>International approvals</b>	
UL approval	E106378
IECEx approval	BVS 09.0037X
Approved for	Ex nAc [ia] IIC T4 [Ex iaD] IIIC
<b>General information</b>	
System information	The module has to be mounted in appropriate backplanes (LB9***) in Zone 2 or outside hazardous areas. Here, the corresponding declaration of conformity has to be observed. For use in hazardous areas (e. g. Zone 2, Zone 22 or Div. 2) the module must be installed in an appropriate enclosure.
Supplementary information	EC-Type Examination Certificate, Statement of Conformity, Declaration of Conformity, Attestation of Conformity and instructions have to be observed where applicable. For information see <a href="http://www.pepperl-fuchs.com">www.pepperl-fuchs.com</a> .

Release date 2015-01-30 12:27 Date of issue 2015-01-30 541934\_eng.xml

Refer to "General Notes Relating to Pepperl+Fuchs Product Information".

Pepperl+Fuchs Group  
www.pepperl-fuchs.com

USA: +1 330 486 0002  
pa-info@us.pepperl-fuchs.com

Germany: +49 621 776 2222  
pa-info@de.pepperl-fuchs.com

Singapore: +65 6779 9091  
pa-info@sg.pepperl-fuchs.com